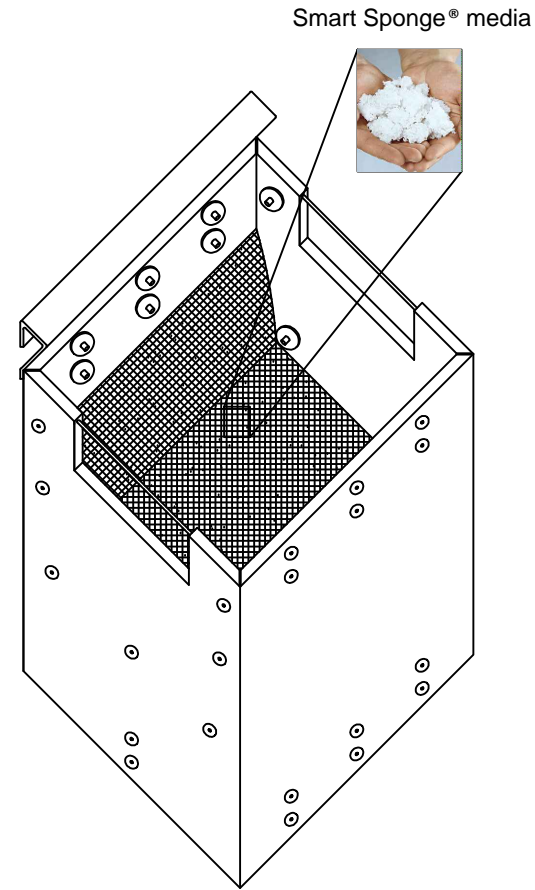
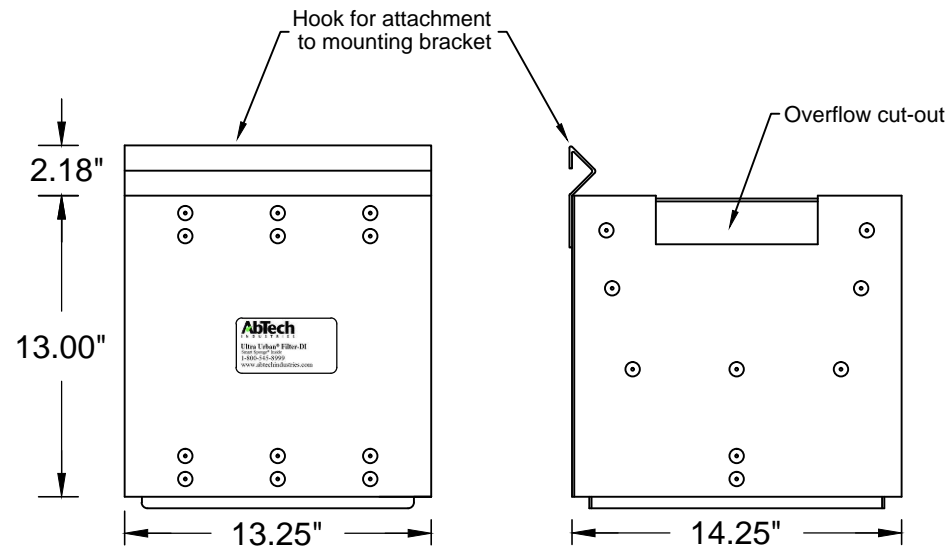


NOTES

The following information relates to the product shown:

1. 80% total suspended solids (TSS) removal
2. 80% oil / grease removal
3. 190 gallons per minute (GPM) filtration rate before the built-in bypass
4. Ultra Urban Filter Curb Opening (CO) will be attached to a mounting bracket as per installation instructions
5. CO1414H contains 10 lbs (+/- 10%) of Smart Sponge® media



PROJECT NAME:	PROJECT CONTACT ENGINEER:	SCALE (FULL SCALE): 1.5 inches = 12 inches
LOCATION:	CONTACT:	PROJECT ENGINEER:
ULTRA URBAN CURB OPENING (CO) SMART SPONGE® FILTER CO1414H	SITE MANAGER:	DRAWN BY: APB
		DESIGNED BY:
		CHECKED BY:
		ISSUE DATE: 01/18/2017
		PROJECT NO:
		SHEET TITLE:
		Ultra Urban Curb Opening (CO) Smart Sponge® Filter - CO1414H
		SHEET NUMBER:
		1

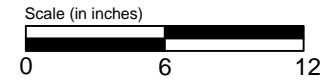
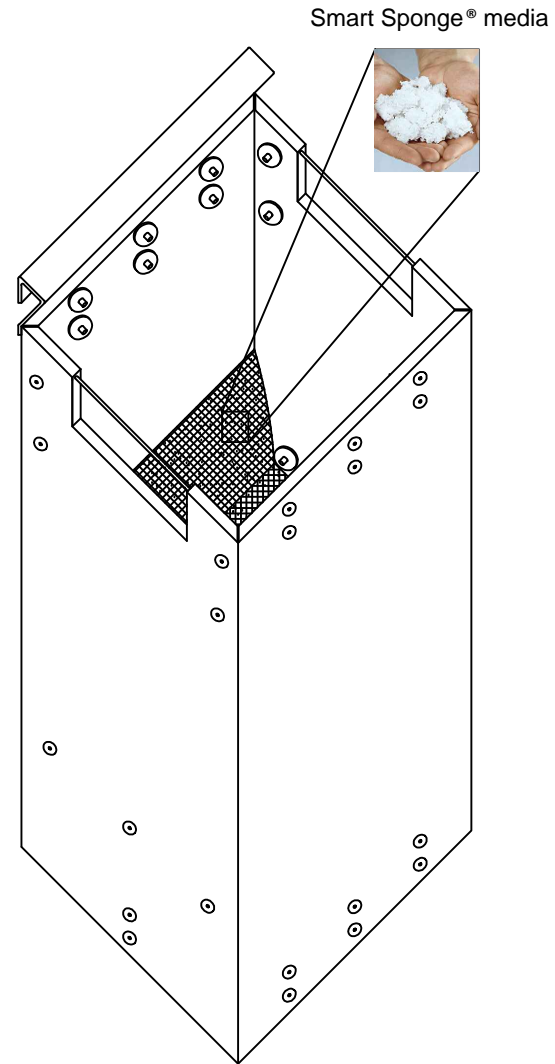
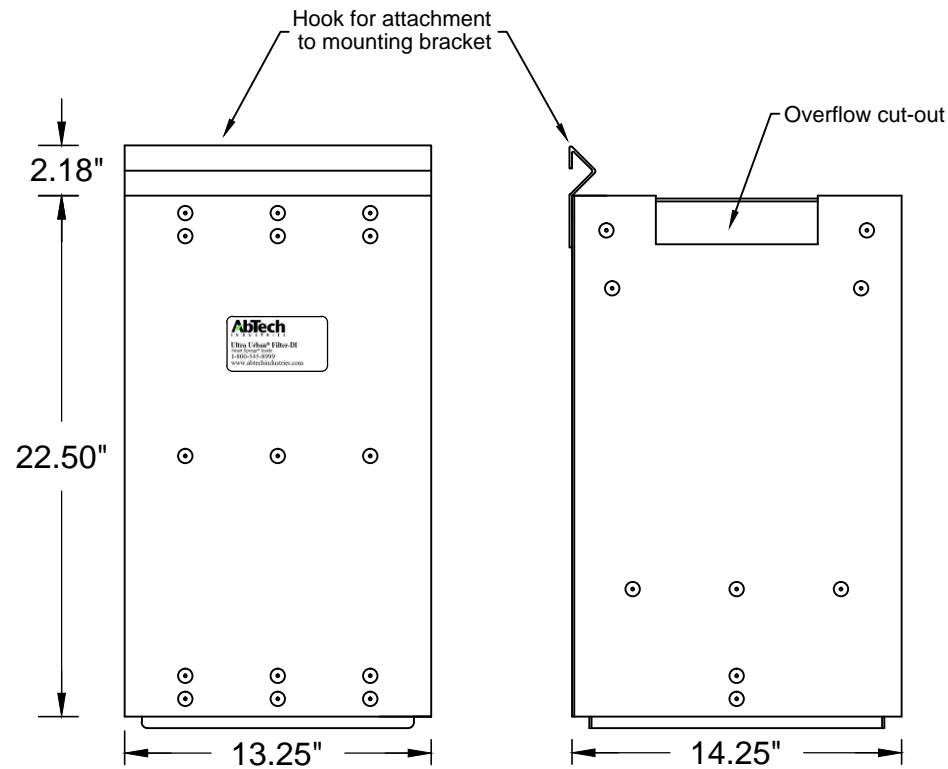



These drawings are the property of Abtech Industries, Inc. Drawings may not be printed, reproduced or used without the prior written consent of Abtech Industries, Inc.

NOTES

The following information relates to the product shown:

1. 80% total suspended solids (TSS) removal
2. 80% oil / grease removal
3. 280 gallons per minute (GPM) filtration rate before the built-in bypass
4. Ultra Urban Filter Curb Opening (CO) will be attached to a mounting bracket as per installation instructions
5. CO1414N contains 16 lbs (+/- 10%) of Smart Sponge® media



PROJECT NAME:	PROJECT CONTACT ENGINEER:	 <p>These drawings are the property of Abtech Industries, Inc. Drawings may not be printed, reproduced or used without the prior written consent of Abtech Industries, Inc.</p>
LOCATION:	CONTACT:	
ULTRA URBAN CURB OPENING (CO) SMART SPONGE® FILTER CO1414N	SITE MANAGER:	<p>SCALE [FULL SCALE]: 1.5 inches = 12 inches</p> <p>PROJECT ENGINEER:</p> <p>DRAWN BY: APB</p> <p>DESIGNED BY:</p> <p>CHECKED BY:</p> <p>ISSUE DATE: 01/18/2017</p> <p>PROJECT NO:</p> <p>SHEET TITLE: Ultra Urban Curb Opening (CO) Smart Sponge® Filter - CO1414N</p> <p>SHEET NUMBER: 1</p>