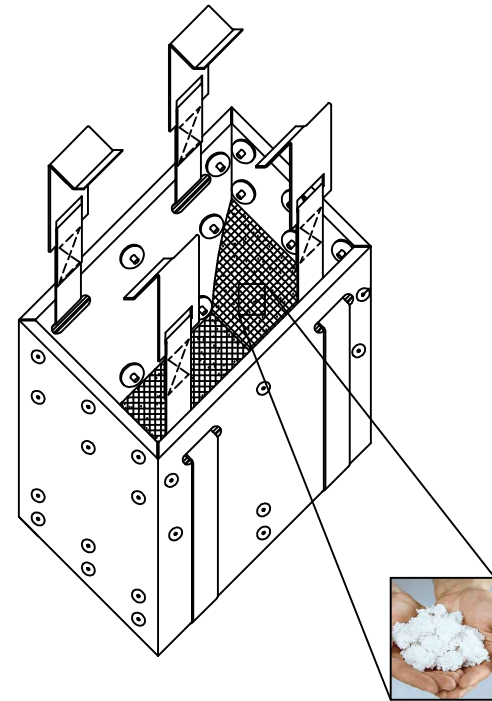
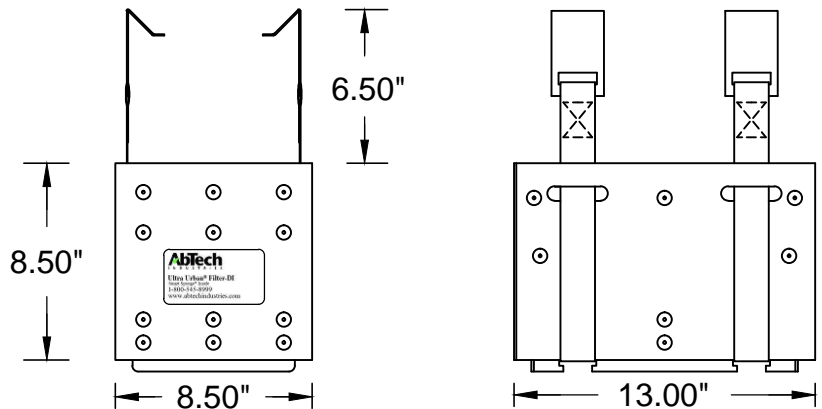


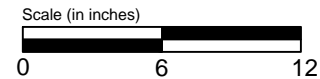
**NOTES**


The following information relates to the product shown:

1. 80% total suspended solids (TSS) removal
2. 80% oil / grease removal
3. 70 gallons per minute (GPM) filtration rate before the built-in bypass
4. Ultra Urban Filter Drop-In (DI) will be attached to a custom collar based on catch basin specifications. Collar purchased separately.
5. DI1309H contains 4.5 lbs (+/- 10%) of Smart Sponge® media



Smart Sponge® media

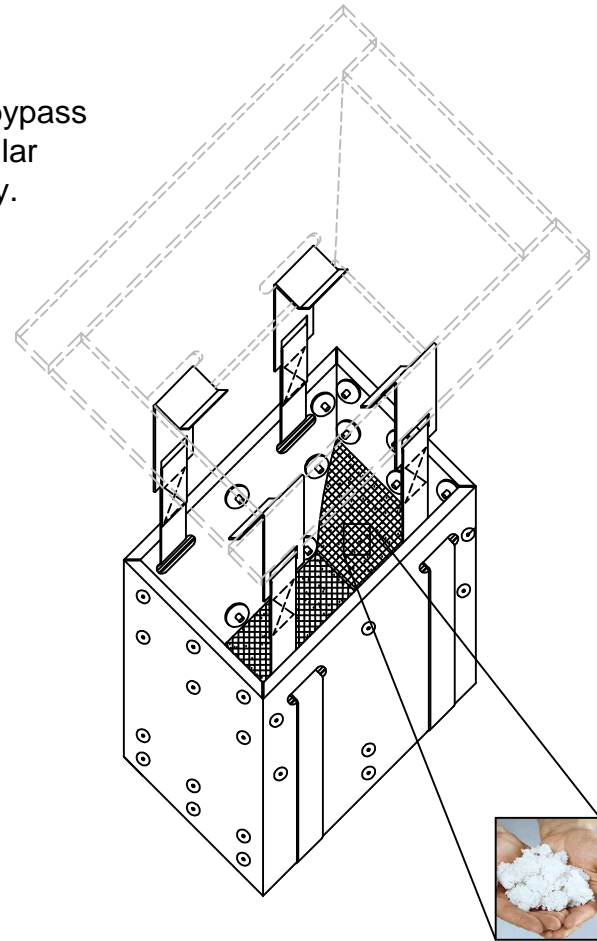
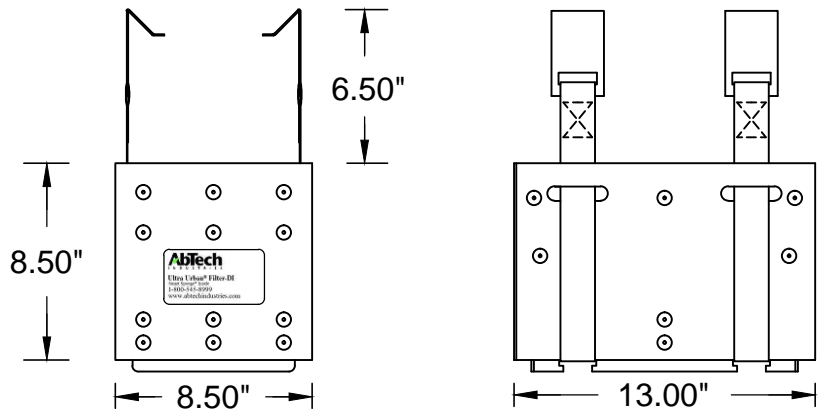


PROJECT NAME:	PROJECT CONTACT ENGINEER:	PROJECT ENGINEER:	 <p>These drawings are the property of Abtech Industries, Inc. Drawings may not be printed, reproduced or used without the prior written consent of Abtech Industries, Inc.</p>
LOCATION:	CONTACT:	SITE MANAGER:	
ULTRA URBAN DROP-IN (DI) SMART SPONGE® FILTER DI1309H			<p>SCALE (FULL SCALE): 1.5 inches : 12 inches</p> <p>PROJECT ENGINEER:</p> <p>DRAWN BY: APB</p> <p>DESIGNED BY:</p> <p>CHECKED BY:</p> <p>ISSUE DATE: 01/17/2017</p> <p>PROJECT NO:</p> <p>SHEET TITLE: Ultra Urban Drop-In (DI) Smart Sponge® Filter - DI1309H</p> <p>SHEET NUMBER: 1</p>

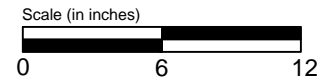
**NOTES**

The following information relates to the product shown:

1. 80% total suspended solids (TSS) removal
2. 80% oil / grease removal
3. 70 gallons per minute (GPM) filtration rate before the built-in bypass
4. Ultra Urban Filter Drop-In (DI) will be attached to a custom collar based on catch basin specifications. Collar purchased separately.
5. DI1309H contains 4.5 lbs (+/- 10%) of Smart Sponge® media



Smart Sponge® media



PROJECT NAME:	PROJECT CONTACT ENGINEER:	PROJECT ENGINEER:	SCALE (FULL SCALE): 1.5 inches : 12 inches
LOCATION:	CONTACT:	DRAWN BY: APB	PROJECT ENGINEER:
ULTRA URBAN DROP-IN (DI) SMART SPONGE® FILTER DI1309H	SITE MANAGER:	DESIGNED BY:	DRAWN BY: APB
		CHECKED BY:	DESIGNED BY:
		ISSUE DATE: 01/17/2017	CHECKED BY:
		PROJECT NO:	ISSUE DATE: 01/17/2017
		SHEET TITLE:	PROJECT NO:
		Ultra Urban Drop-In (DI) Smart Sponge® Filter - DI1309H	SHEET TITLE:
		SHEET NUMBER:	Ultra Urban Drop-In (DI) Smart Sponge® Filter - DI1309H
		1	SHEET NUMBER:

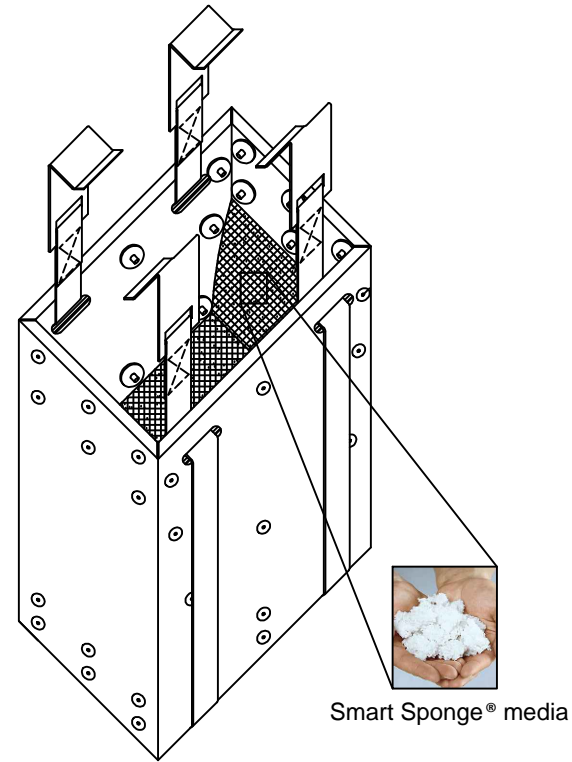
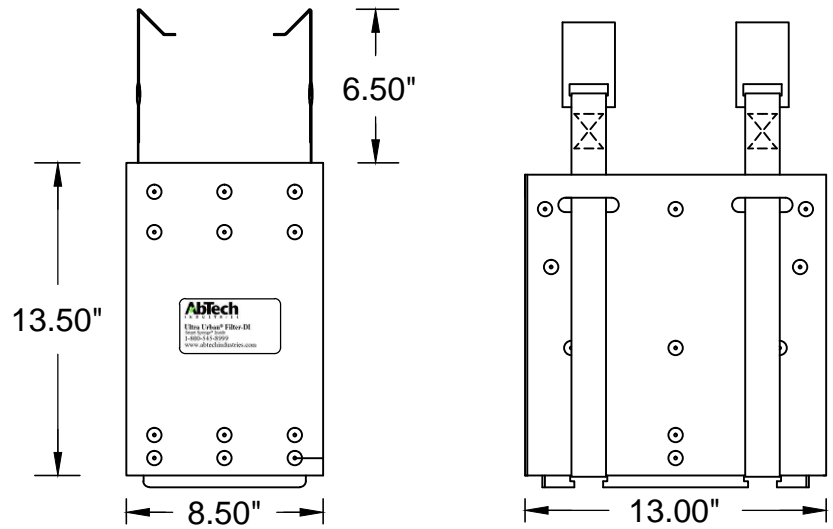



These drawings are the property of Abtech Industries, Inc. Drawings may not be printed, reproduced or used without the prior written consent of Abtech Industries, Inc.

**NOTES**

The following information relates to the product shown:

1. 80% total suspended solids (TSS) removal
2. 80% oil / grease removal
3. 110 gallons per minute (GPM) filtration rate before the built-in bypass
4. Ultra Urban Filter Drop-In (DI) will be attached to a custom collar based on catch basin specifications. Collar purchased separately.
5. DI1309N contains 6 lbs (+/- 10%) of Smart Sponge® media

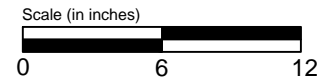
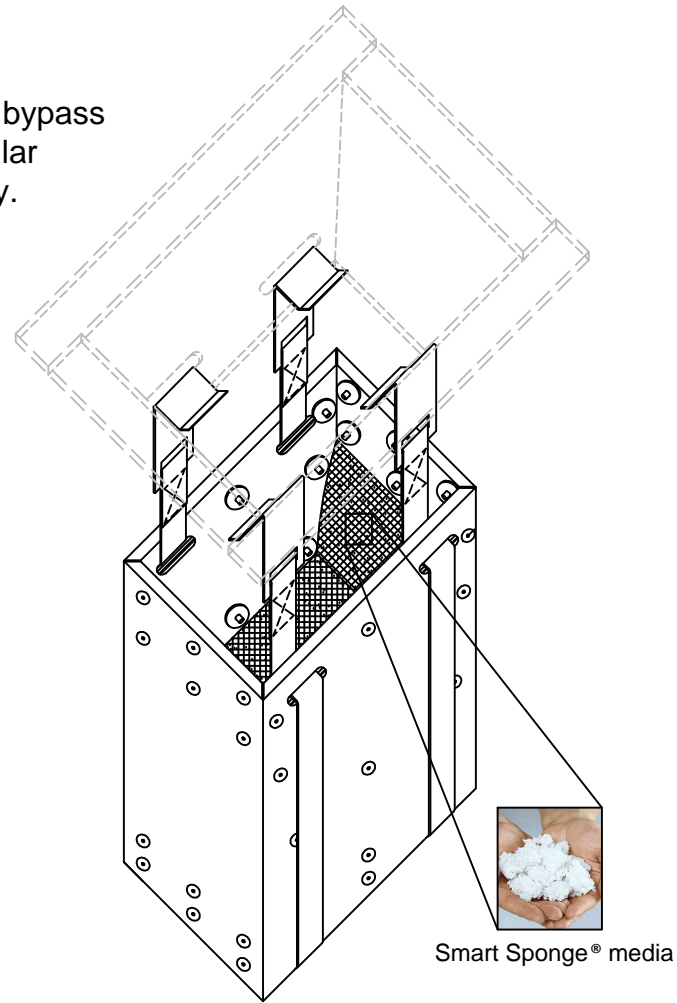
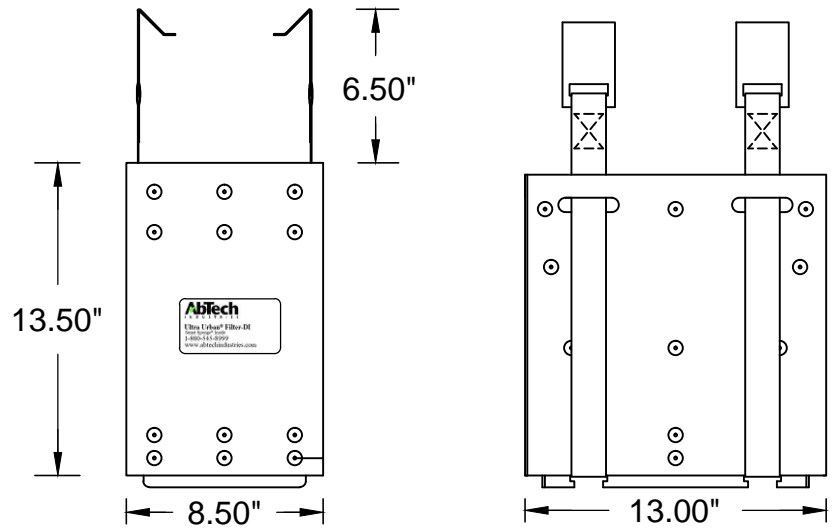



PROJECT NAME:	PROJECT CONTACT ENGINEER:	PROJECT ENGINEER:	 <p>These drawings are the property of Abtech Industries, Inc. Drawings may not be printed, reproduced or used without the prior written consent of Abtech Industries, Inc.</p>
LOCATION:	CONTACT:	CONTACT:	
ULTRA URBAN DROP-IN (DI) SMART SPONGE® FILTER DI1309N	SITE MANAGER:	SCALE (FULL SCALE): 1.5 inches : 12 inches	PROJECT ENGINEER:
		PROJECT ENGINEER:	DRAWN BY: APB
		DESIGNED BY:	CHECKED BY:
		ISSUE DATE: 01/17/2017	PROJECT NO:
		SHEET TITLE:	Ultra Urban Drop-In (DI) Smart Sponge® Filter - DI1309N
		SHEET NUMBER:	1

**NOTES**

The following information relates to the product shown:

1. 80% total suspended solids (TSS) removal
2. 80% oil / grease removal
3. 110 gallons per minute (GPM) filtration rate before the built-in bypass
4. Ultra Urban Filter Drop-In (DI) will be attached to a custom collar based on catch basin specifications. Collar purchased separately.
5. DI1309N contains 6 lbs (+/- 10%) of Smart Sponge® media

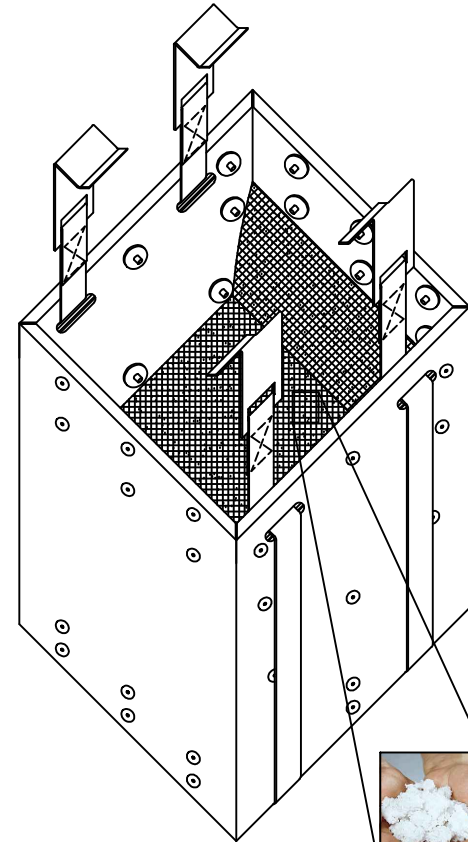
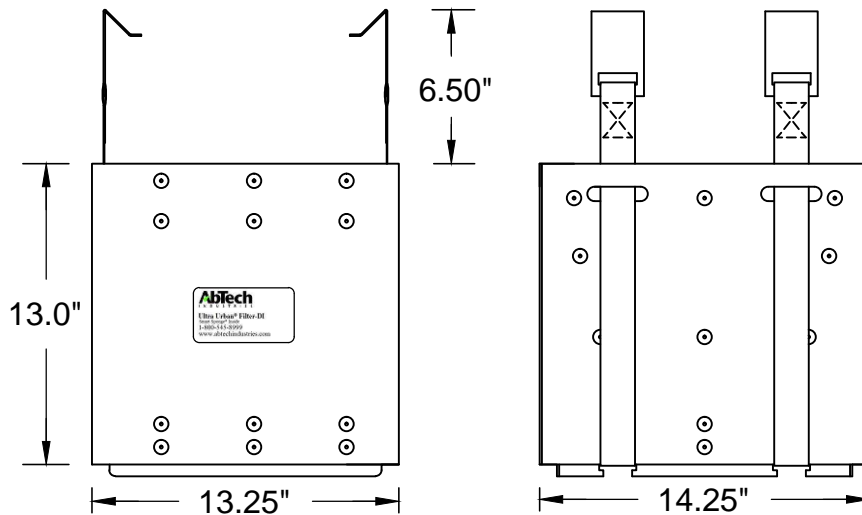


PROJECT NAME:	PROJECT CONTACT ENGINEER:	PROJECT ENGINEER:	 <p>These drawings are the property of Abtech Industries, Inc. Drawings may not be printed, reproduced or used without the prior written consent of Abtech Industries, Inc.</p>
LOCATION:	CONTACT:	SITE MANAGER:	
			<p>SCALE (FULL SCALE): 1.5 inches : 12 inches</p> <p>PROJECT ENGINEER:</p> <p>DRAWN BY: APB</p> <p>DESIGNED BY:</p> <p>CHECKED BY:</p> <p>ISSUE DATE: 01/17/2017</p> <p>PROJECT NO:</p> <p>SHEET TITLE: Ultra Urban Drop-In (DI) Smart Sponge® Filter - DI1309N</p> <p>SHEET NUMBER: 1</p>

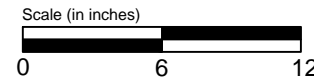
**NOTES**


The following information relates to the product shown:

1. 80% total suspended solids (TSS) removal
2. 80% oil / grease removal
3. 190 gallons per minute (GPM) filtration rate before the built-in bypass
4. Ultra Urban Filter Drop-In (DI) will be attached to a custom collar based on catch basin specifications. Collar purchased separately.
5. DI1414H contains 10 lbs (+/- 10%) of Smart Sponge® media



Smart Sponge®  
media

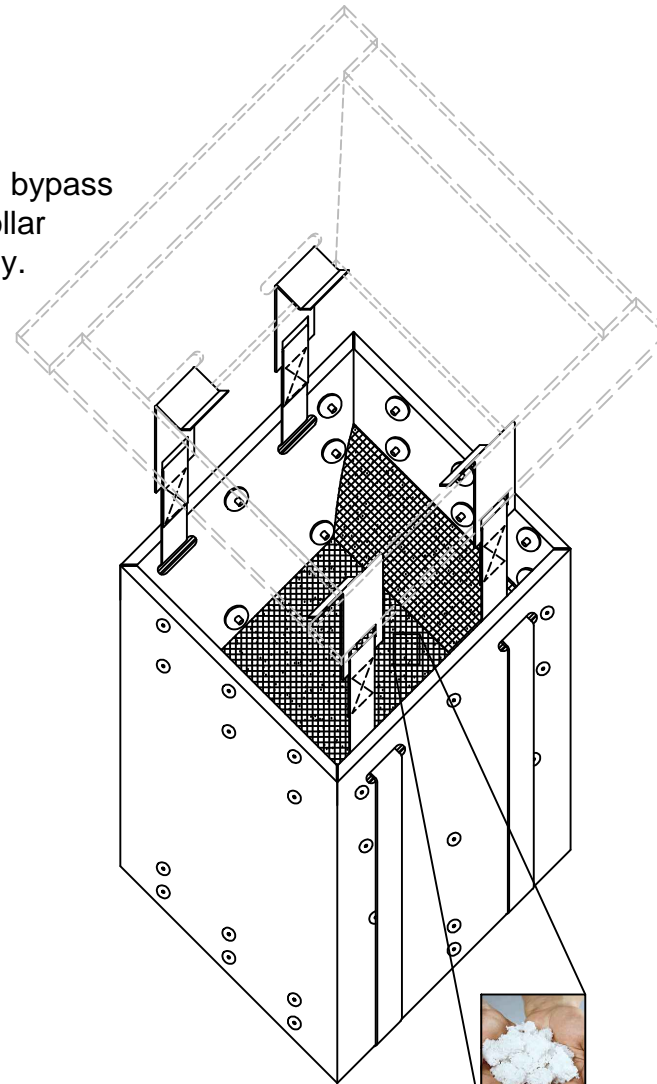
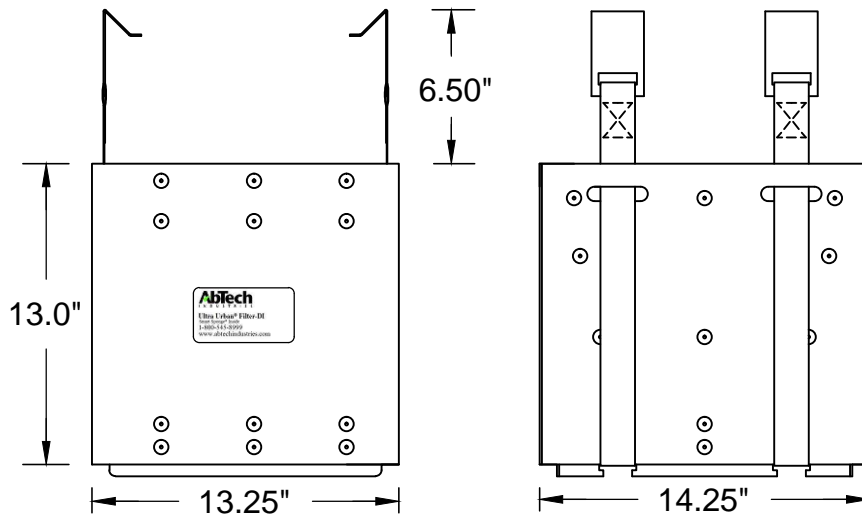


PROJECT NAME:	PROJECT CONTACT ENGINEER:	PROJECT ENGINEER:	 <p>These drawings are the property of Abtech Industries, Inc. Drawings may not be printed, reproduced or used without the prior written consent of Abtech Industries, Inc.</p>
LOCATION:	CONTACT:	PROJECT ENGINEER:	
ULTRA URBAN DROP-IN (DI) SMART SPONGE® FILTER DI1414H	SITE MANAGER:	SCALE (FULL SCALE): 1.5 inches : 12 inches	PROJECT NO:
		PROJECT ENGINEER:	Ultra Urban Drop-In (DI) Smart Sponge® Filter - DI1414H
		DRAWN BY: APB	SHEET NUMBER:
		DESIGNED BY:	1
		CHECKED BY:	
		ISSUE DATE: 01/17/2017	

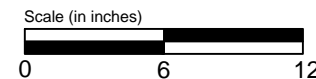
**NOTES**


The following information relates to the product shown:

1. 80% total suspended solids (TSS) removal
2. 80% oil / grease removal
3. 190 gallons per minute (GPM) filtration rate before the built-in bypass
4. Ultra Urban Filter Drop-In (DI) will be attached to a custom collar based on catch basin specifications. Collar purchased separately.
5. DI1414H contains 10 lbs (+/- 10%) of Smart Sponge® media



Smart Sponge® media

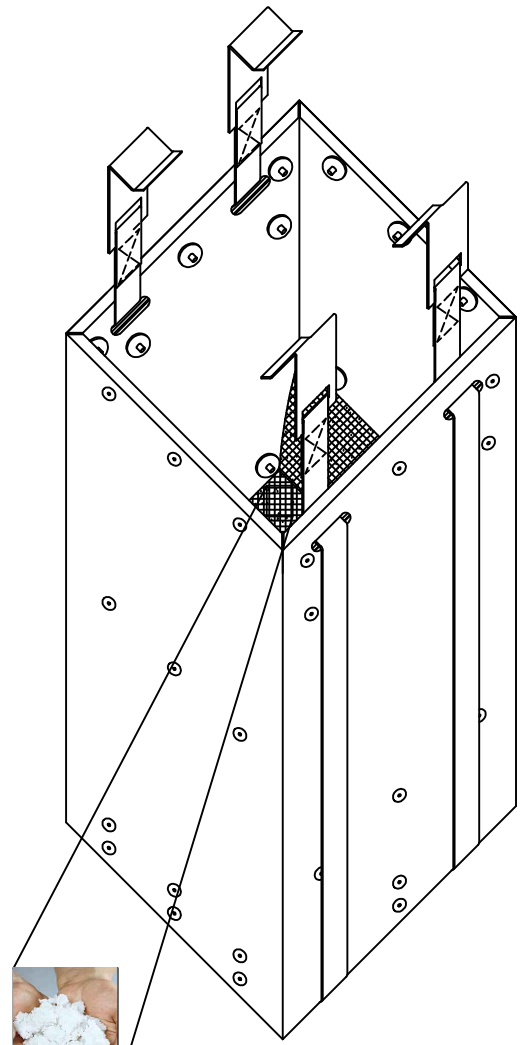
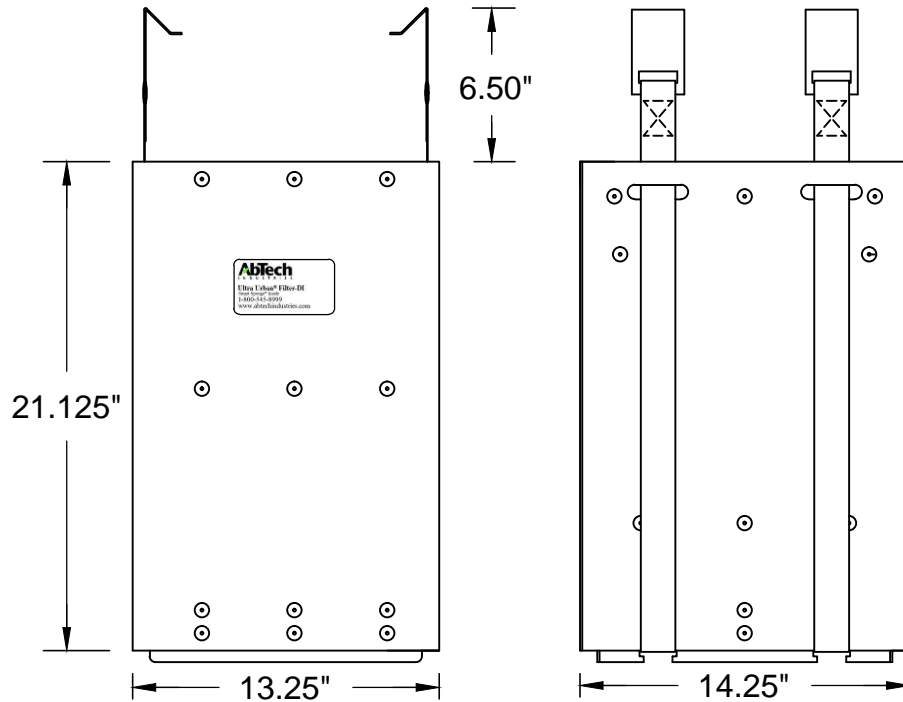


PROJECT NAME:		PROJECT CONTACT ENGINEER:		 <p>These drawings are the property of Abtech Industries, Inc. Drawings may not be printed, reproduced or used without the prior written consent of Abtech Industries, Inc.</p>
LOCATION:		CONTACT:		
ULTRA URBAN DROP-IN (DI) SMART SPONGE® FILTER DI1414H		SITE MANAGER:		<p>SCALE (FULL SCALE): 1.5 inches : 12 inches</p> <p>PROJECT ENGINEER:</p> <p>DRAWN BY: APB</p> <p>DESIGNED BY:</p> <p>CHECKED BY:</p> <p>ISSUE DATE: 01/17/2017</p> <p>PROJECT NO:</p> <p>SHEET TITLE: Ultra Urban Drop-In (DI) Smart Sponge® Filter - DI1414H</p> <p>SHEET NUMBER: 1</p>

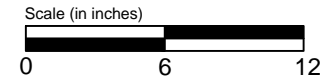
**NOTES**


The following information relates to the product shown:

1. 80% total suspended solids (TSS) removal
2. 80% oil / grease removal
3. 280 gallons per minute (GPM) filtration rate before the built-in bypass
4. Ultra Urban Filter Drop-In (DI) will be attached to a custom collar based on catch basin specifications. Collar purchased separately.
5. DI1414N contains 16 lbs (+/- 10%) of Smart Sponge® media



Smart Sponge® media

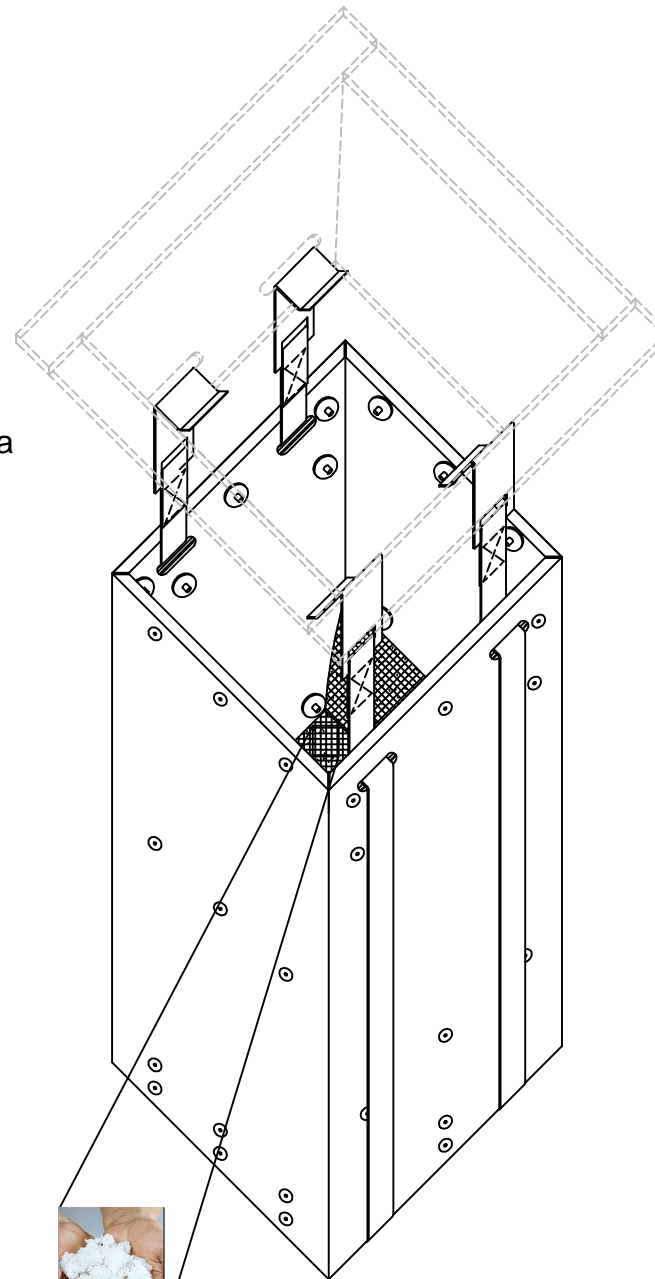
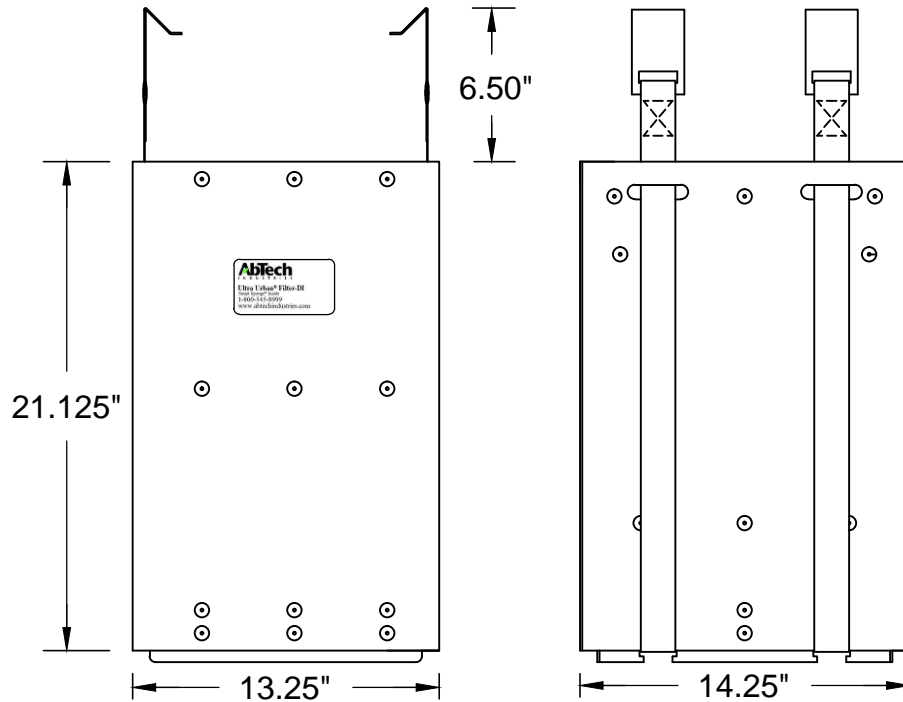


PROJECT NAME:		PROJECT CONTACT ENGINEER:	
LOCATION:		CONTACT:	
ULTRA URBAN DROP-IN (DI) SMART SPONGE® FILTER DI1414N		SITE MANAGER:	
 <p>These drawings are the property of Abtech Industries, Inc. Drawings may not be printed, reproduced or used without the prior written consent of Abtech Industries, Inc.</p>			
SCALE [FULL SCALE]: 1.5 inches = 12 inches			
PROJECT ENGINEER:			
DRAWN BY: APB			
DESIGNED BY:			
CHECKED BY:			
ISSUE DATE: 01/17/2017			
PROJECT NO:			
SHEET TITLE: Ultra Urban Drop-In (DI) Smart Sponge® Filter - DI1414N			
SHEET NUMBER: 1			

**NOTES**


The following information relates to the product shown:

1. 80% total suspended solids (TSS) removal
2. 80% oil / grease removal
3. 280 gallons per minute (GPM) filtration rate before the built-in bypass
4. Ultra Urban Filter Drop-In (DI) will be attached to a custom collar based on catch basin specifications. Collar purchased separately.
5. DI1414N contains 16 lbs (+/- 10%) of Smart Sponge® media



Smart Sponge® media



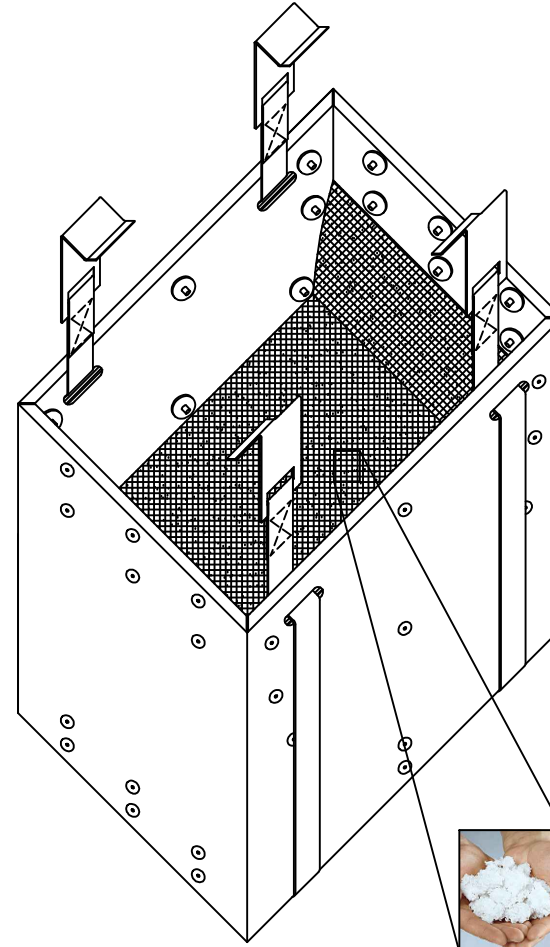
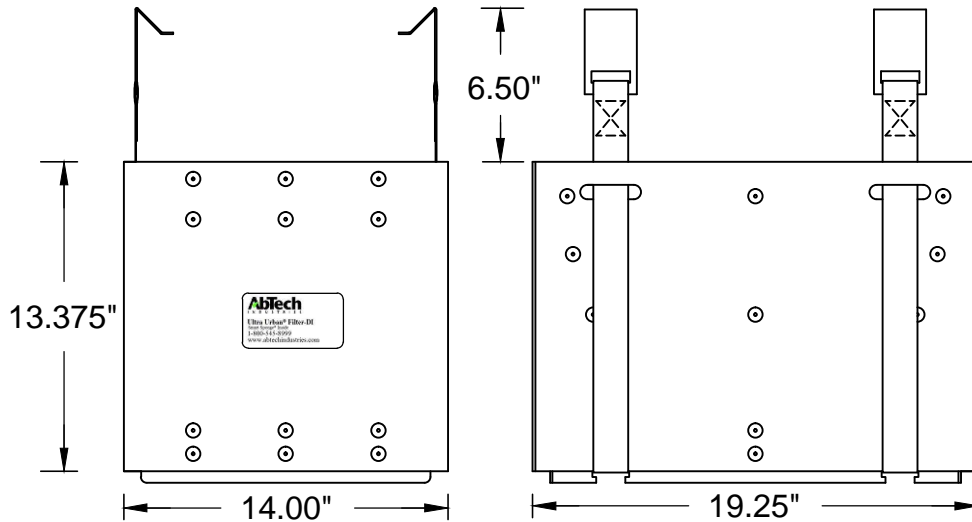
PROJECT NAME:		PROJECT CONTACT ENGINEER:	
LOCATION:		CONTACT:	
ULTRA URBAN DROP-IN (DI) SMART SPONGE® FILTER DI1414N		SITE MANAGER:	
			
<small>These drawings are the property of Abtech Industries, Inc. Drawings may not be printed, reproduced or used without the prior written consent of Abtech Industries, Inc.</small>			
SCALE (FULL SCALE): 1.5 inches = 12 inches			
PROJECT ENGINEER:			
DRAWN BY: APB			
DESIGNED BY:			
CHECKED BY:			
ISSUE DATE: 01/17/2017			
PROJECT NO:			
SHEET TITLE: Ultra Urban Drop-In (DI) Smart Sponge® Filter - DI1414N			
SHEET NUMBER: 1			



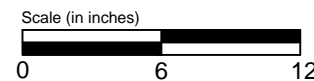
**NOTES**


The following information relates to the product shown:

1. 80% total suspended solids (TSS) removal
2. 80% oil / grease removal
3. 300 gallons per minute (GPM) filtration rate before the built-in bypass
4. Ultra Urban Filter Drop-In (DI) will be attached to a custom collar based on catch basin specifications. Collar purchased separately.
5. DI1420H contains 13 lbs (+/- 10%) of Smart Sponge® media



Smart Sponge® media

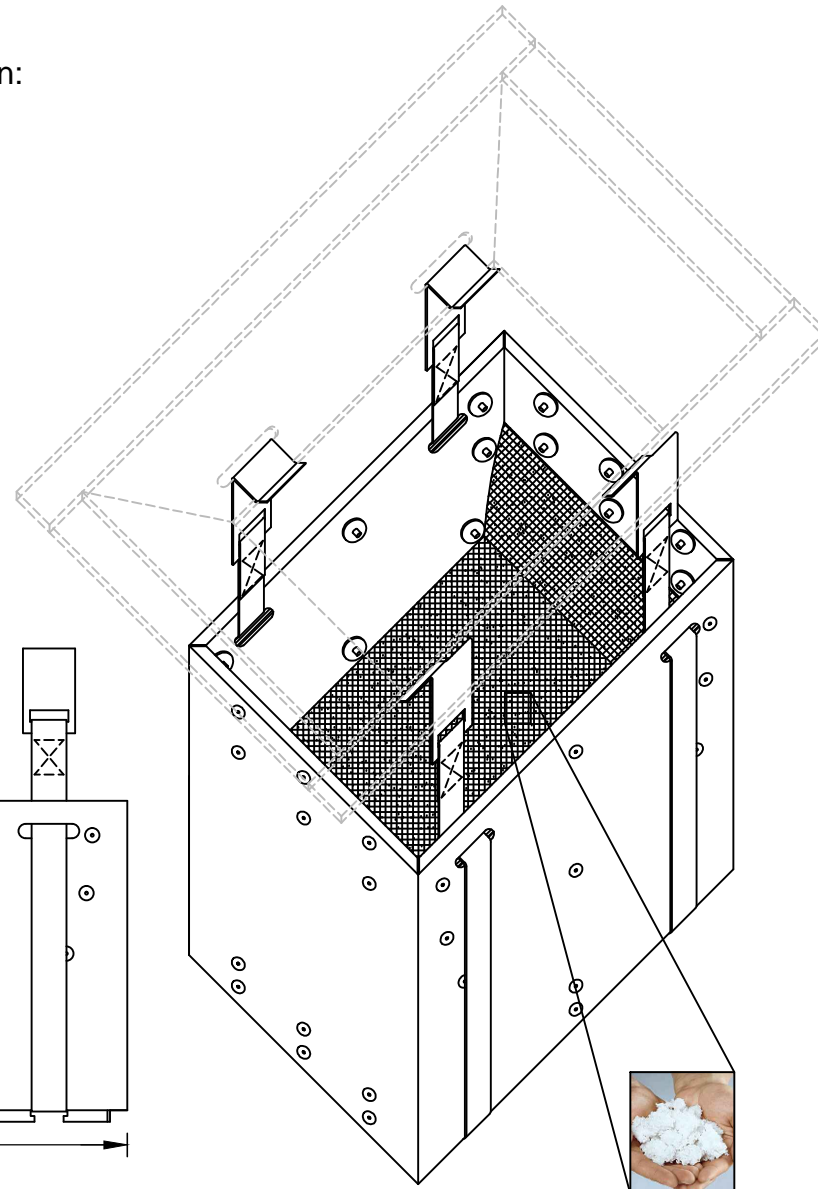
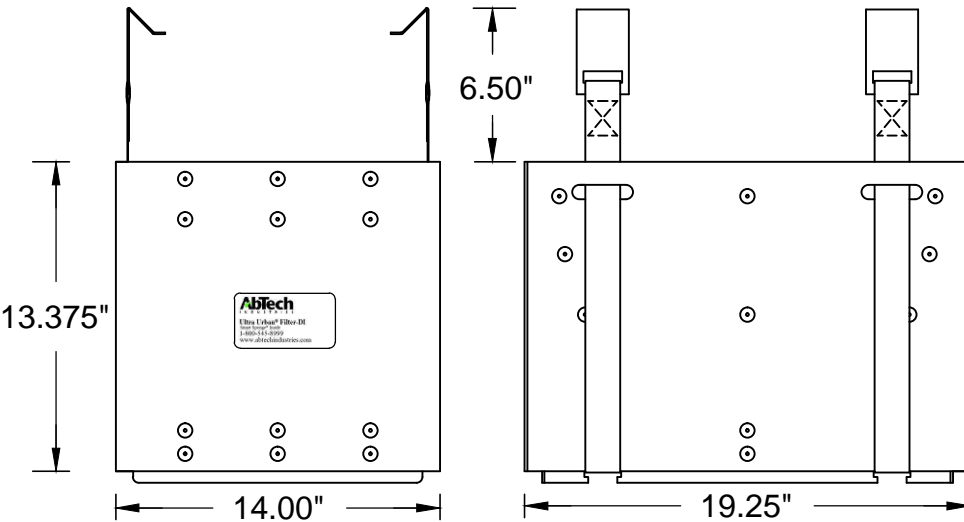


PROJECT NAME:	PROJECT CONTACT ENGINEER:	 <p>These drawings are the property of Abtech Industries, Inc. Drawings may not be printed, reproduced or used without the prior written consent of Abtech Industries, Inc.</p>
LOCATION:	CONTACT:	
ULTRA URBAN DROP-IN (DI) SMART SPONGE® FILTER DI1420H	SITE MANAGER:	SCALE (FULL SCALE): 1.5 inches = 12 inches
		PROJECT ENGINEER:
		DRAWN BY: APB
		DESIGNED BY:
		CHECKED BY:
		ISSUE DATE: 01/17/2017
		PROJECT NO:
		SHEET TITLE: Ultra Urban Drop-In (DI) Smart Sponge® Filter - DI1420H
		SHEET NUMBER: 1

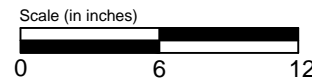
**NOTES**

The following information relates to the product shown:

1. 80% total suspended solids (TSS) removal
2. 80% oil / grease removal
3. 300 gallons per minute (GPM) filtration rate before the built-in bypass
4. Ultra Urban Filter Drop-In (DI) will be attached to a custom collar based on catch basin specifications. Collar purchased separately.
5. DI1420H contains 13 lbs (+/- 10%) of Smart Sponge® media



Smart Sponge® media



PROJECT NAME:	PROJECT CONTACT ENGINEER:	SCALE [FULL SCALE]: 1.5 inches : 12 inches
LOCATION:	CONTACT:	PROJECT ENGINEER:
ULTRA URBAN DROP-IN (DI) SMART SPONGE® FILTER DI1420H	SITE MANAGER:	DRAWN BY: APB
		DESIGNED BY:
		CHECKED BY:
		ISSUE DATE: 01/17/2017
		PROJECT NO.:
		SHEET TITLE:
		Ultra Urban Drop-In (DI) Smart Sponge® Filter - DI1420H
		SHEET NUMBER:
		1

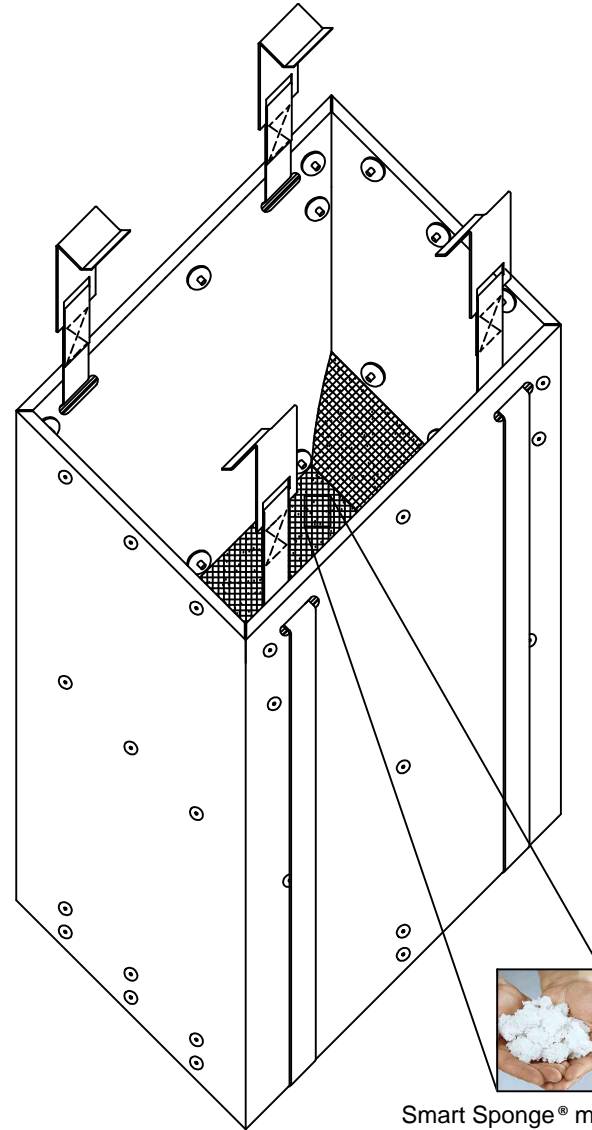
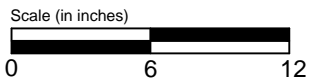
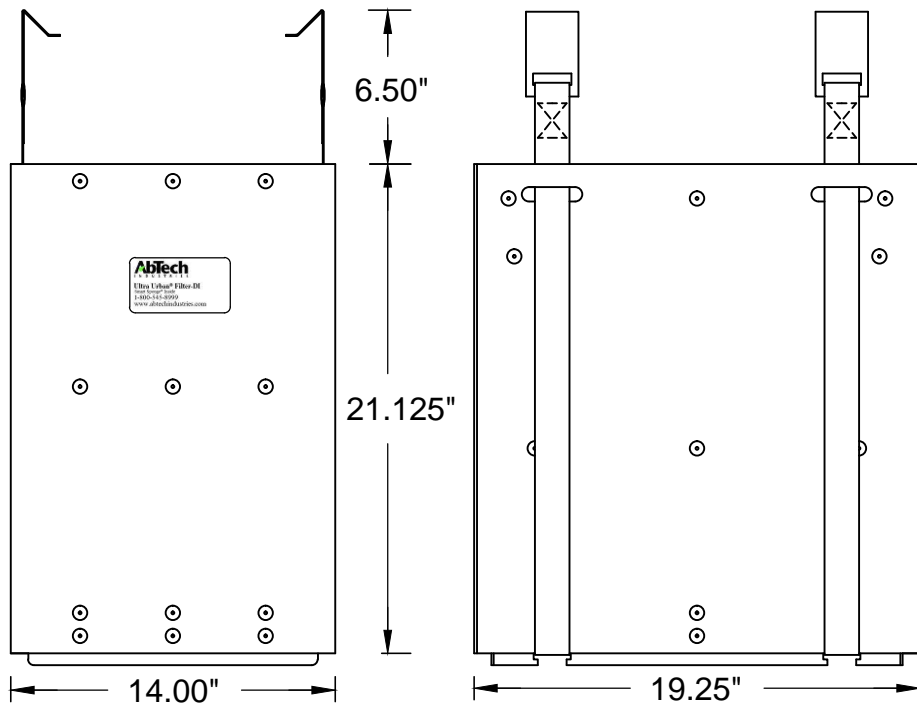


These drawings are the property of Abtech Industries, Inc. Drawings may not be printed, reproduced or used without the prior written consent of Abtech Industries, Inc.


**NOTES**

The following information relates to the product shown:

1. 80% total suspended solids (TSS) removal
2. 80% oil / grease removal
3. 300 gallons per minute (GPM) filtration rate before the built-in bypass
4. Ultra Urban Filter Drop-In (DI) will be attached to a custom collar based on catch basin specifications. Collar purchased separately.
5. DI1420N contains 20 lbs (+/- 10%) of Smart Sponge® media



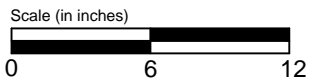
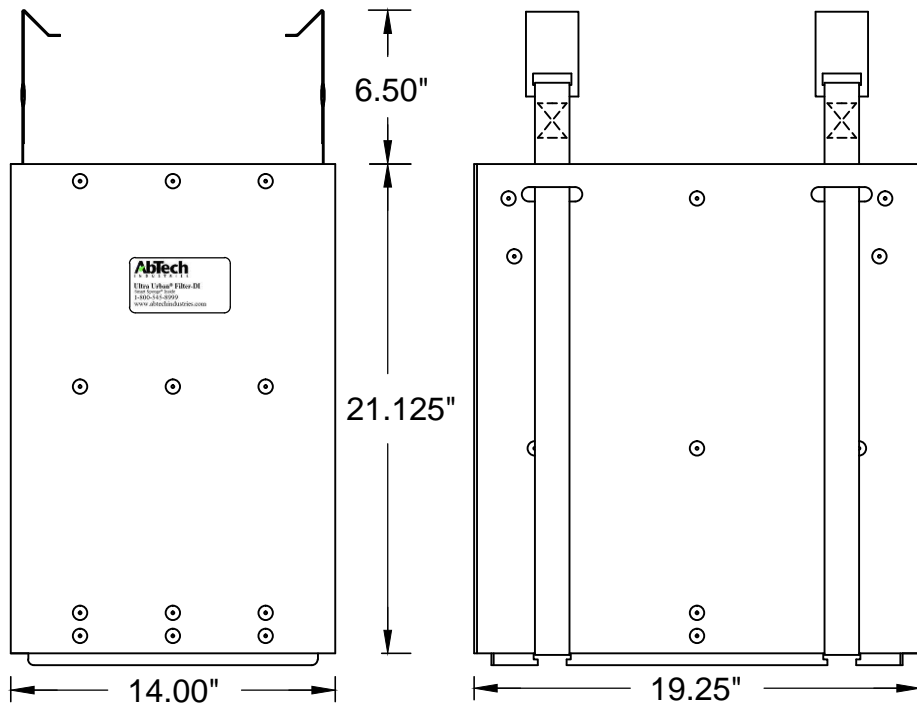
Smart Sponge® media

PROJECT NAME:	PROJECT CONTACT ENGINEER:	 <p>These drawings are the property of Abtech Industries, Inc. Drawings may not be printed, reproduced or used without the prior written consent of Abtech Industries, Inc.</p>
LOCATION:	CONTACT:	
ULTRA URBAN DROP-IN (DI) SMART SPONGE® FILTER DI1420N	SITE MANAGER:	<p>SCALE (FULL SCALE): 1.5 inches : 12 inches</p> <p>PROJECT ENGINEER:</p> <p>DRAWN BY: APB</p> <p>DESIGNED BY:</p> <p>CHECKED BY:</p> <p>ISSUE DATE: 01/17/2017</p> <p>PROJECT NO:</p> <p>SHEET TITLE: Ultra Urban Drop-In (DI) Smart Sponge® Filter - DI1420N</p> <p>SHEET NUMBER: 1</p>


**NOTES**

The following information relates to the product shown:

1. 80% total suspended solids (TSS) removal
2. 80% oil / grease removal
3. 300 gallons per minute (GPM) filtration rate before the built-in bypass
4. Ultra Urban Filter Drop-In (DI) will be attached to a custom collar based on catch basin specifications. Collar purchased separately.
5. DI1420N contains 20 lbs (+/- 10%) of Smart Sponge® media



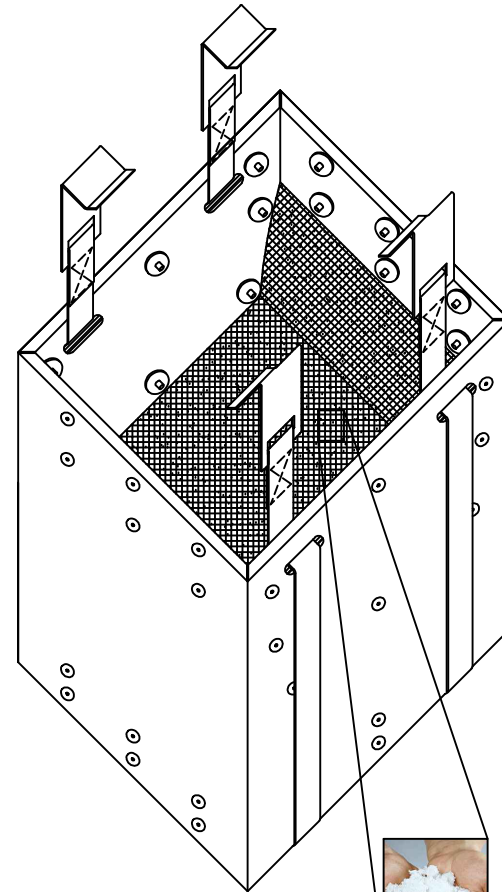
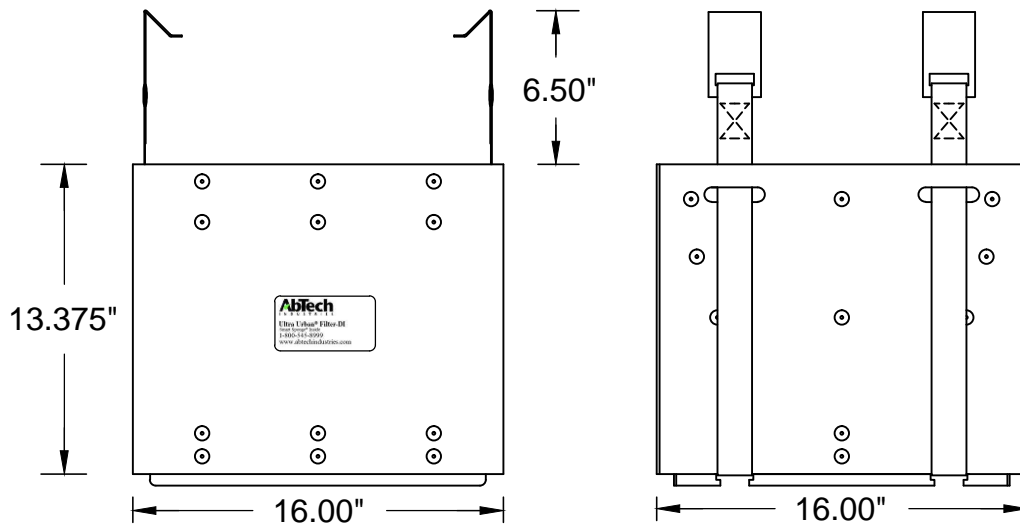
Smart Sponge® media

PROJECT NAME:	PROJECT CONTACT ENGINEER:	PROJECT ENGINEER:	 <p>These drawings are the property of Abtech Industries, Inc. Drawings may not be printed, reproduced or used without the prior written consent of Abtech Industries, Inc.</p>
LOCATION:	CONTACT:	SITE MANAGER:	
			<p>SCALE (FULL SCALE): 1.5 inches : 12 inches</p> <p>PROJECT ENGINEER:</p> <p>DRAWN BY: APB</p> <p>DESIGNED BY:</p> <p>CHECKED BY:</p> <p>ISSUE DATE: 01/17/2017</p> <p>PROJECT NO:</p> <p>SHEET TITLE: Ultra Urban Drop-In (DI) Smart Sponge® Filter - DI1420N</p> <p>SHEET NUMBER: 1</p>
			<p>ULTRA URBAN DROP-IN (DI) SMART SPONGE® FILTER DI1420N</p>

**NOTES**


The following information relates to the product shown:

1. 80% total suspended solids (TSS) removal
2. 80% oil / grease removal
3. 240 gallons per minute (GPM) filtration rate before the built-in bypass
4. Ultra Urban Filter Drop-In (DI) will be attached to a custom collar based on catch basin specifications. Collar purchased separately.
5. DI1616H contains 12 lbs (+/- 10%) of Smart Sponge® media



Smart Sponge® media

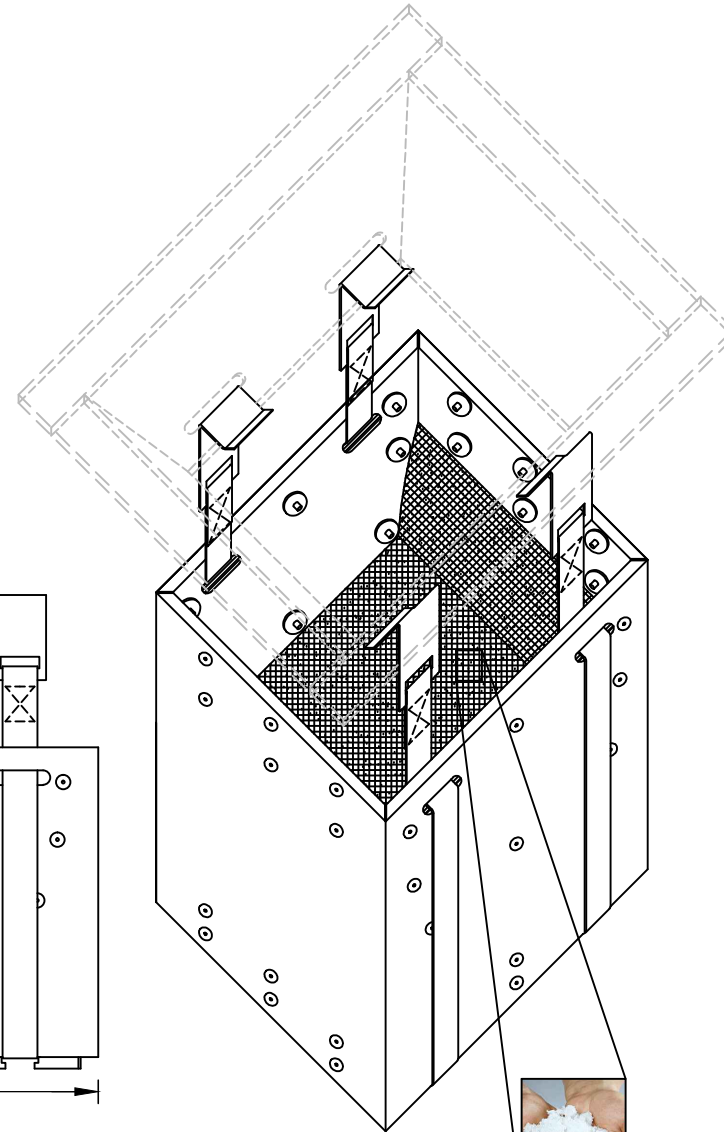
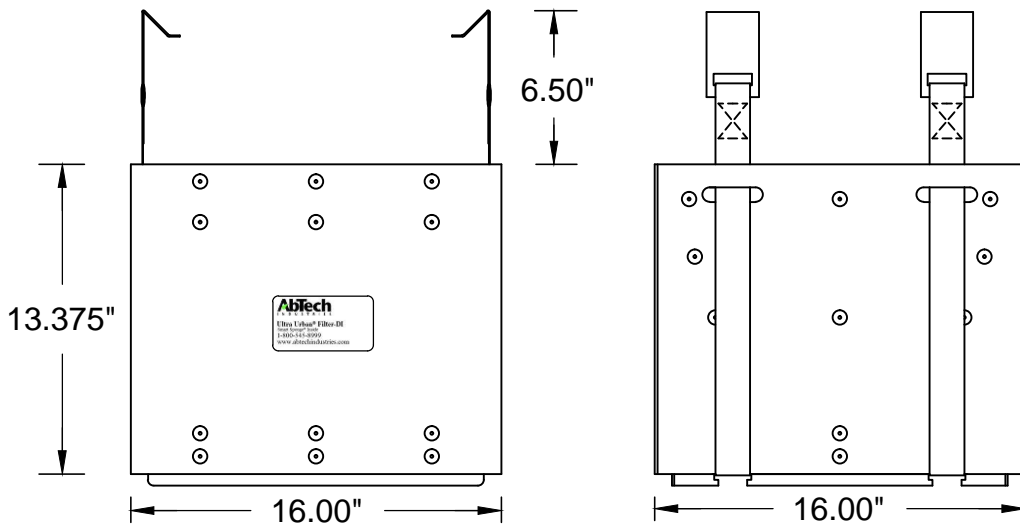


PROJECT NAME:	PROJECT CONTACT ENGINEER:	 <p>These drawings are the property of Abtech Industries, Inc. Drawings may not be printed, reproduced or used without the prior written consent of Abtech Industries, Inc.</p>
LOCATION:	CONTACT:	
ULTRA URBAN DROP-IN (DI) SMART SPONGE® FILTER DI1616H	SITE MANAGER:	<p>SCALE (FULL SCALE): 1.5 inches : 12 inches</p> <p>PROJECT ENGINEER:</p> <p>DRAWN BY: APB</p> <p>DESIGNED BY:</p> <p>CHECKED BY:</p> <p>ISSUE DATE: 01/17/2017</p> <p>PROJECT NO:</p> <p>SHEET TITLE: Ultra Urban Drop-In (DI) Smart Sponge® Filter - DI1616H</p> <p>SHEET NUMBER: 1</p>

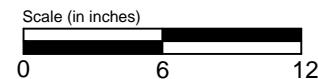
**NOTES**


The following information relates to the product shown:

1. 80% total suspended solids (TSS) removal
2. 80% oil / grease removal
3. 240 gallons per minute (GPM) filtration rate before the built-in bypass
4. Ultra Urban Filter Drop-In (DI) will be attached to a custom collar based on catch basin specifications. Collar purchased separately.
5. DI1616H contains 12 lbs (+/- 10%) of Smart Sponge® media



Smart Sponge® media

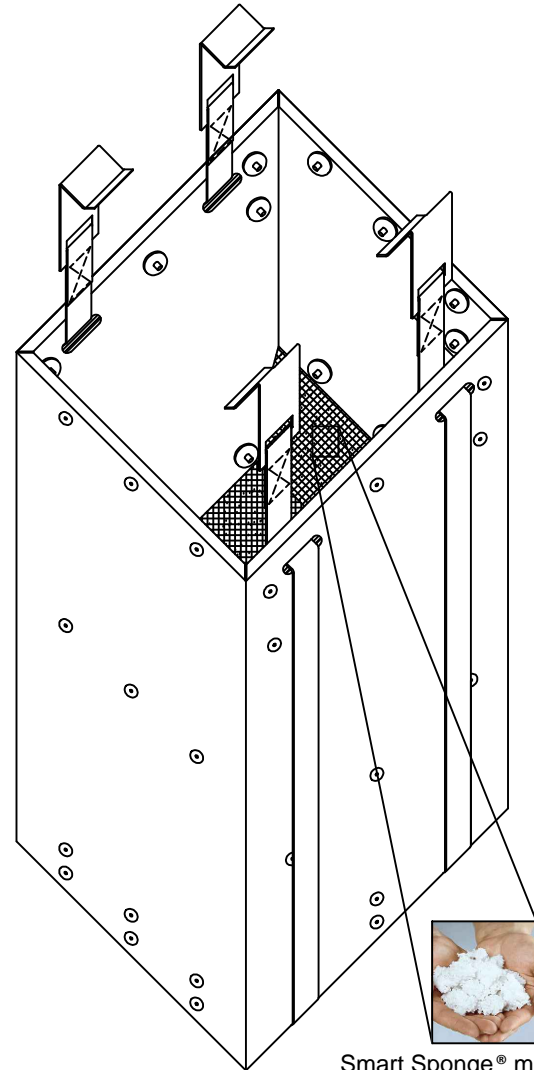
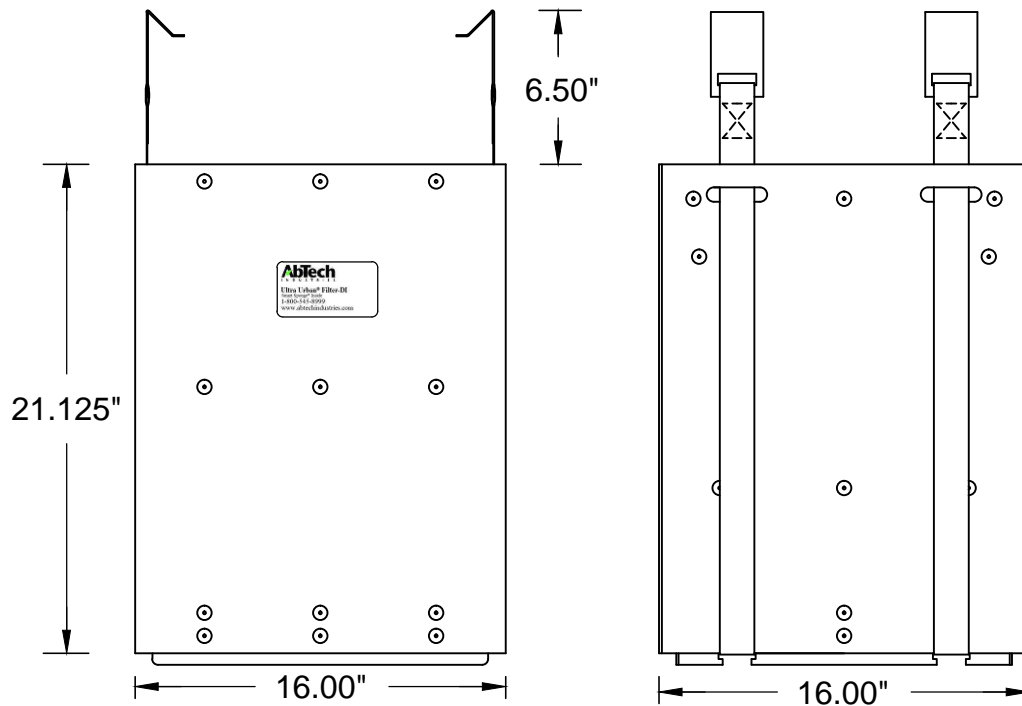


PROJECT NAME:	PROJECT CONTACT ENGINEER:	PROJECT ENGINEER:	 <p>These drawings are the property of Abtech Industries, Inc. Drawings may not be printed, reproduced or used without the prior written consent of Abtech Industries, Inc.</p>
LOCATION:	CONTACT:	DESIGNED BY:	
ULTRA URBAN DROP-IN (DI) SMART SPONGE® FILTER DI1616H	SITE MANAGER:	CHECKED BY:	SCALE (FULL SCALE): 1.5 inches : 12 inches
		ISSUE DATE: 01/17/2017	PROJECT NO.:
		SHEET TITLE:	Ultra Urban Drop-In (DI) Smart Sponge® Filter - DI1616H
		SHEET NUMBER:	1

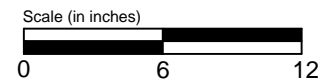
**NOTES**

The following information relates to the product shown:

1. 80% total suspended solids (TSS) removal
2. 80% oil / grease removal
3. 240 gallons per minute (GPM) filtration rate before the built-in bypass
4. Ultra Urban Filter Drop-In (DI) will be attached to a custom collar based on catch basin specifications. Collar purchased separately.
5. DI1616N contains 20 lbs (+/- 10%) of Smart Sponge® media



Smart Sponge® media



PROJECT NAME:	PROJECT CONTACT ENGINEER:	SCALE (FULL SCALE): 1.5 inches : 12 inches
LOCATION:	CONTACT:	PROJECT ENGINEER:
ULTRA URBAN DROP-IN (DI) SMART SPONGE® FILTER DI1616N	SITE MANAGER:	DRAWN BY: APB
		DESIGNED BY:
		CHECKED BY:
		ISSUE DATE: 01/18/2017
		PROJECT NO.:
		SHEET TITLE:
		Ultra Urban Drop-In (DI) Smart Sponge® Filter - DI1616N
		SHEET NUMBER:
		1

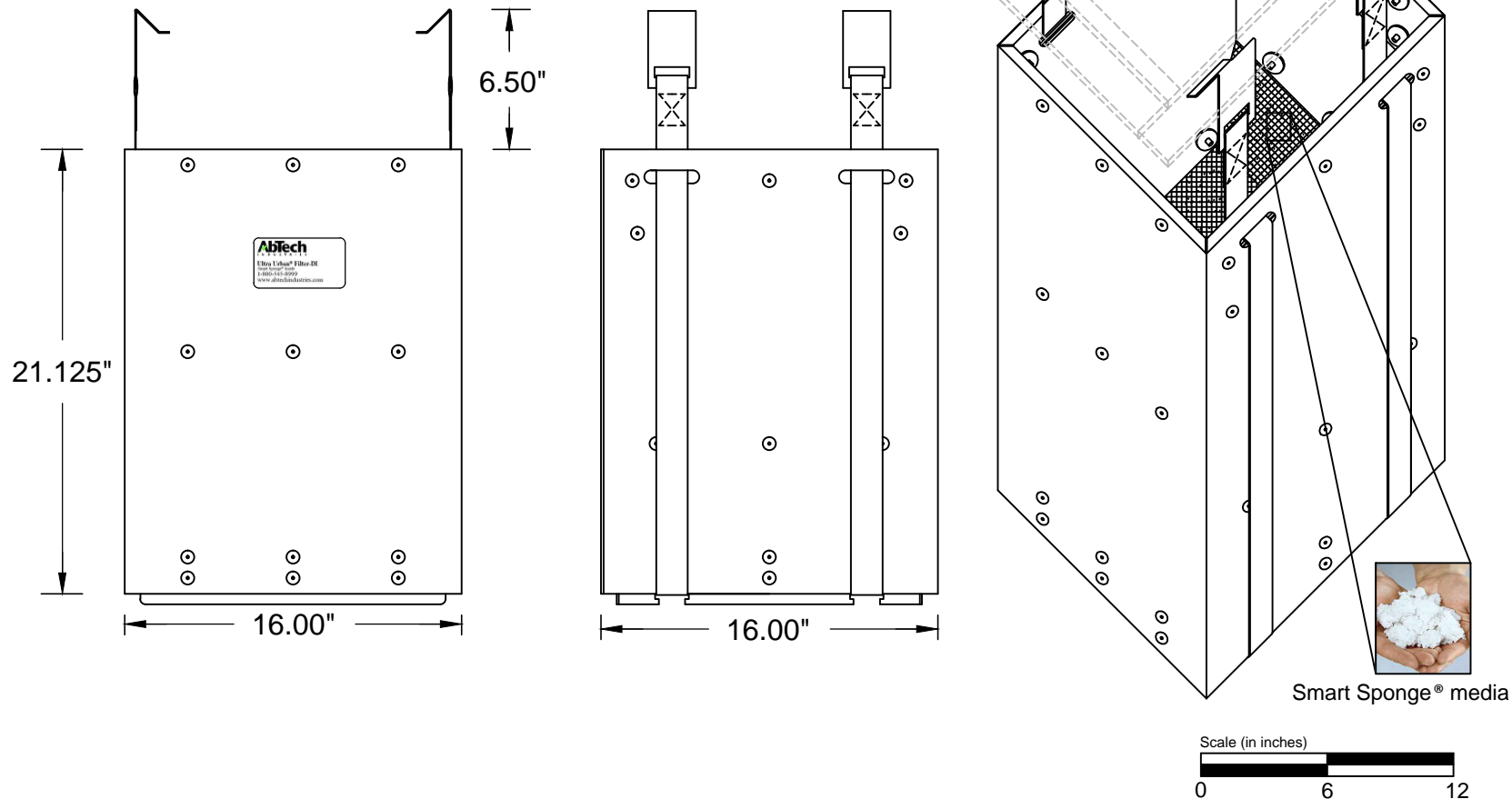



These drawings are the property of Abtech Industries, Inc. Drawings may not be printed, reproduced or used without the prior written consent of Abtech Industries, Inc.

**NOTES**

The following information relates to the product shown:

1. 80% total suspended solids (TSS) removal
2. 80% oil / grease removal
3. 240 gallons per minute (GPM) filtration rate before the built-in bypass
4. Ultra Urban Filter Drop-In (DI) will be attached to a custom collar based on catch basin specifications. Collar purchased separately.
5. DI1616N contains 20 lbs (+/- 10%) of Smart Sponge® media



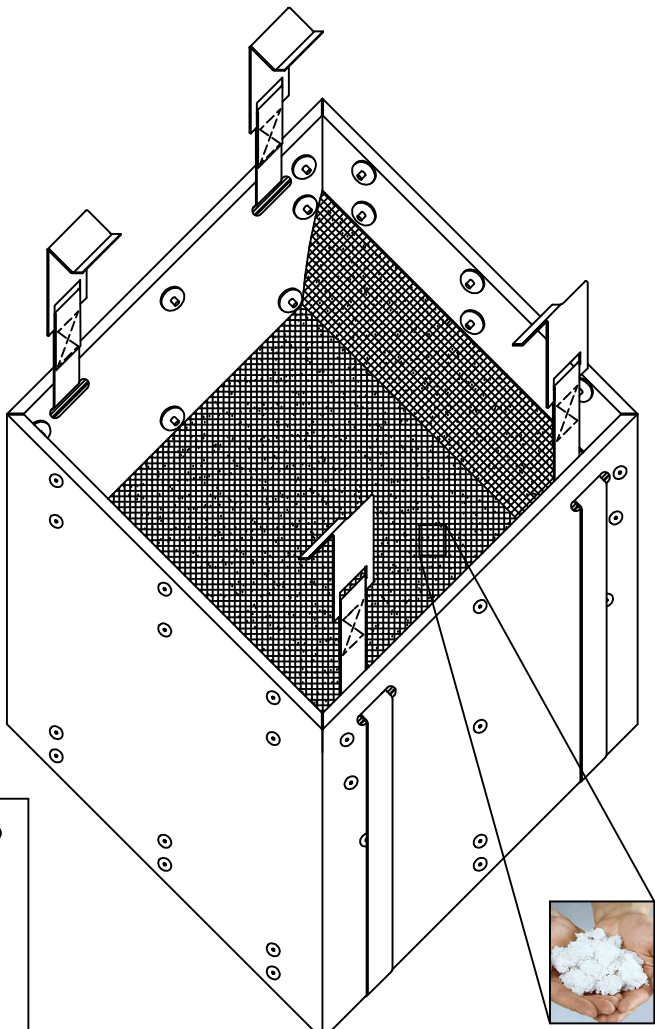
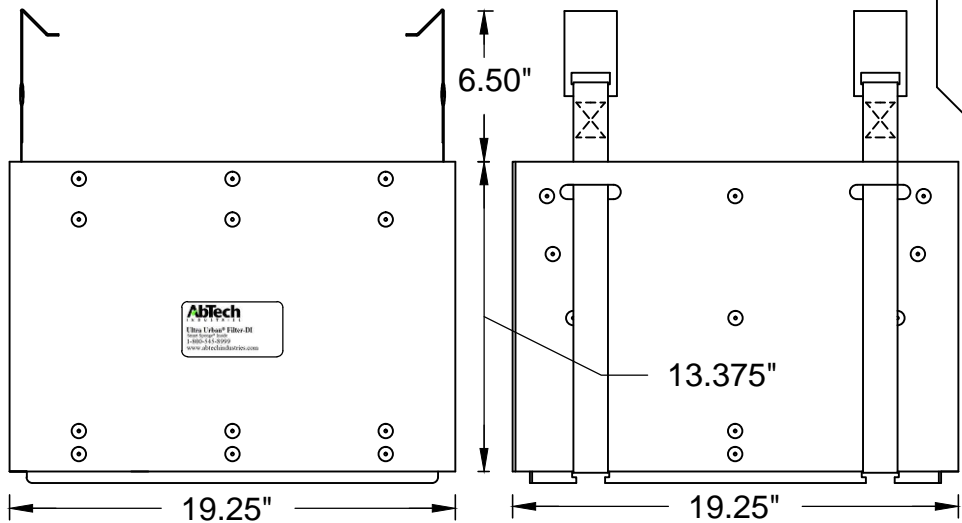
PROJECT NAME:	PROJECT CONTACT ENGINEER:	PROJECT ENGINEER:	 <p>These drawings are the property of Abtech Industries, Inc. Drawings may not be printed, reproduced or used without the prior written consent of Abtech Industries, Inc.</p>
LOCATION:	CONTACT:	SITE MANAGER:	
ULTRA URBAN DROP-IN (DI) SMART SPONGE® FILTER DI1616N			
SCALE (FULL SCALE): 1.5 inches : 12 inches			PROJECT NO.:
PROJECT ENGINEER:			SHEET TITLE:
DRAWN BY: APB			Ultra Urban Drop-In (DI) Smart Sponge® Filter - DI1616N
DESIGNED BY:			SHEET NUMBER:
CHECKED BY:			1
ISSUE DATE: 01/18/2017			



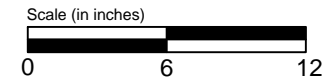
**NOTES**

The following information relates to the product shown:

1. 80% total suspended solids (TSS) removal
2. 80% oil / grease removal
3. 500 gallons per minute (GPM) filtration rate before the built-in bypass
4. Ultra Urban Filter Drop-In (DI) will be attached to a custom collar based on catch basin specifications. Collar purchased separately.
5. DI2020H contains 18 lbs (+/- 10%) of Smart Sponge® media



Smart Sponge® media



PROJECT NAME:	PROJECT CONTACT ENGINEER:	PROJECT ENGINEER:	SCALE (FULL SCALE): 1.5 inches : 12 inches
LOCATION:	CONTACT:	DRAWN BY: APB	PROJECT ENGINEER:
ULTRA URBAN DROP-IN (DI) SMART SPONGE® FILTER DI2020H	SITE MANAGER:	DESIGNED BY:	CHECKED BY:
		CHECKED BY:	ISSUE DATE: 01/18/2017
		PROJECT NO.:	SHEET TITLE:
		Ultra Urban Drop-In (DI) Smart Sponge® Filter - DI2020H	SHEET NUMBER:
			1

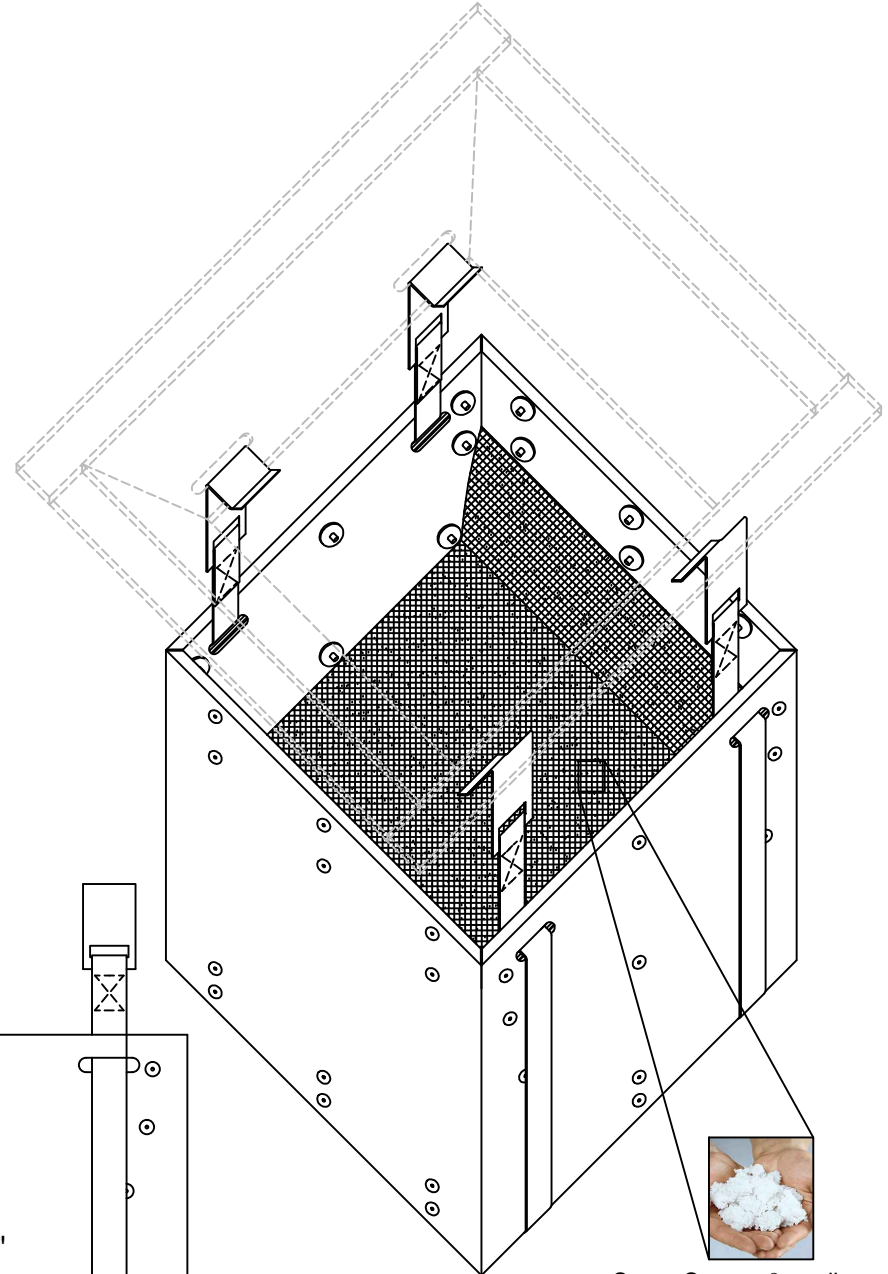
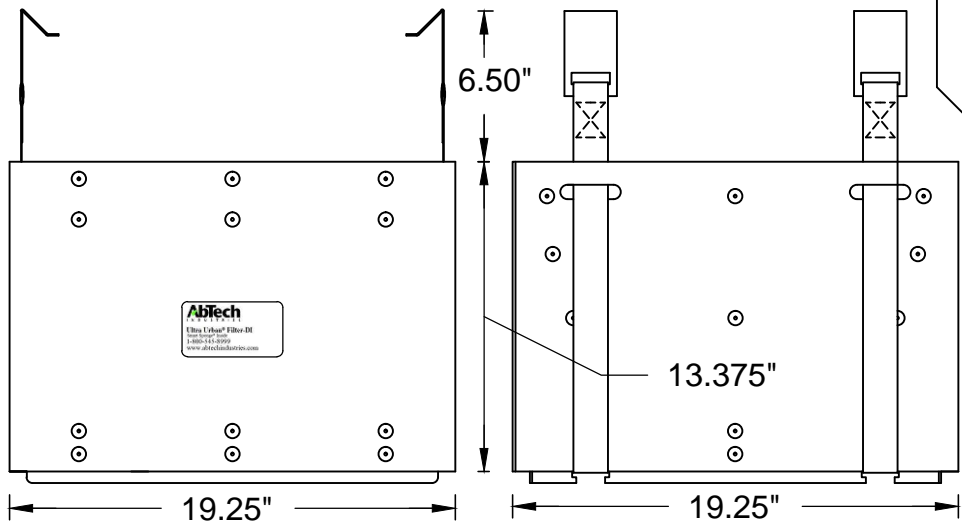
**AbTech**  
INDUSTRIES

These drawings are the property of Abtech Industries, Inc. Drawings may not be printed, reproduced or used without the prior written consent of Abtech Industries, Inc.

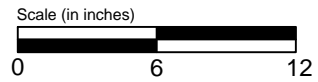
**NOTES**

The following information relates to the product shown:

1. 80% total suspended solids (TSS) removal
2. 80% oil / grease removal
3. 500 gallons per minute (GPM) filtration rate before the built-in bypass
4. Ultra Urban Filter Drop-In (DI) will be attached to a custom collar based on catch basin specifications. Collar purchased separately.
5. DI2020H contains 18 lbs (+/- 10%) of Smart Sponge® media



Smart Sponge® media



PROJECT NAME:	PROJECT CONTACT ENGINEER:	PROJECT ENGINEER:
LOCATION:	CONTACT:	DRAWN BY: APB
ULTRA URBAN DROP-IN (DI) SMART SPONGE® FILTER DI2020H	SITE MANAGER:	DESIGNED BY:
		CHECKED BY:
		ISSUE DATE: 01/18/2017
		PROJECT NO:
		SHEET TITLE:
		Ultra Urban Drop-In (DI) Smart Sponge® Filter - DI2020H
		SHEET NUMBER:
		1



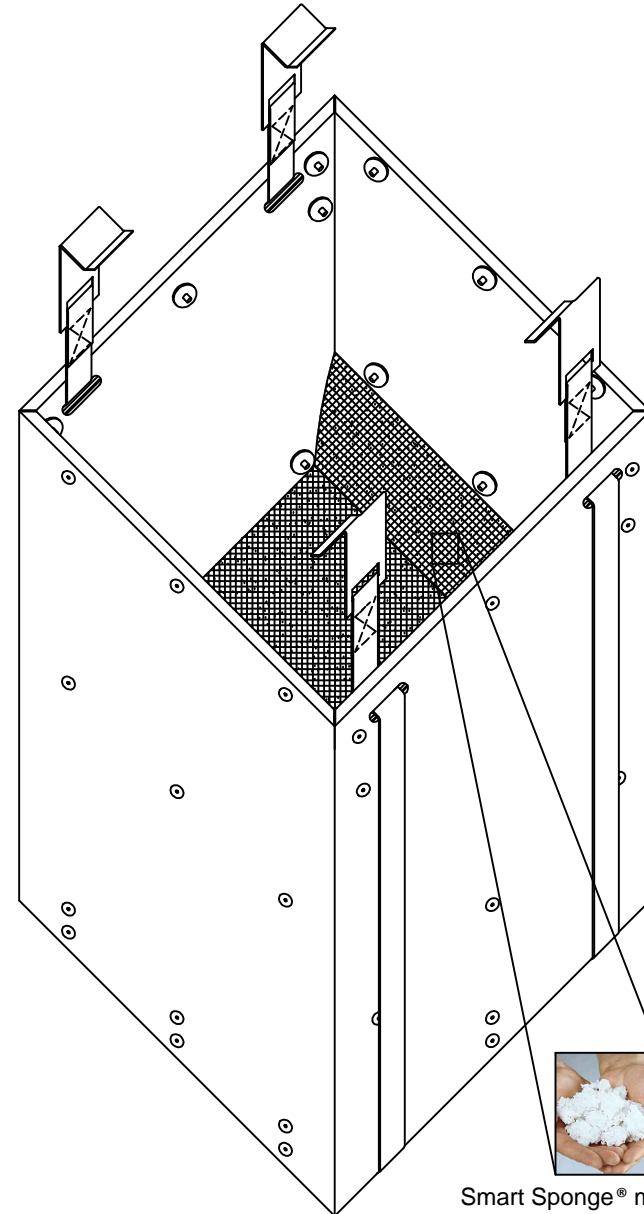
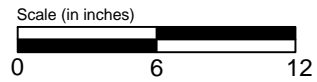
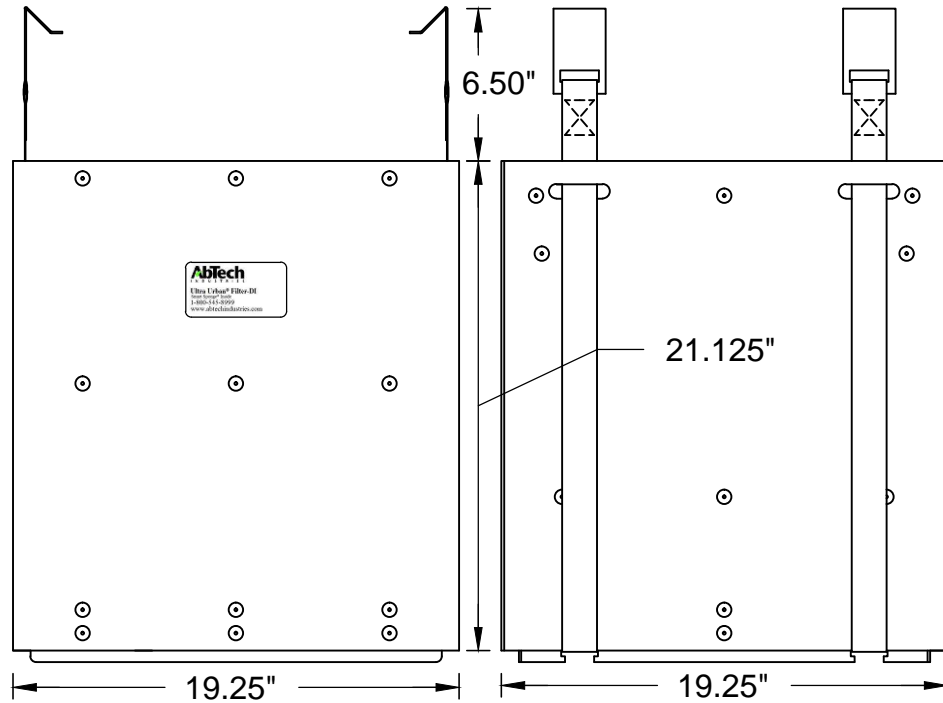
These drawings are the property of Abtech Industries, Inc. Drawings may not be printed, reproduced or used without the prior written consent of Abtech Industries, Inc.

SCALE (FULL SCALE): 1.5 inches : 12 inches

**NOTES**

The following information relates to the product shown:

1. 80% total suspended solids (TSS) removal
2. 80% oil / grease removal
3. 500 gallons per minute (GPM) filtration rate before the built-in bypass
4. Ultra Urban Filter Drop-In (DI) will be attached to a custom collar based on catch basin specifications. Collar purchased separately.
5. DI2020N contains 28 lbs (+/- 10%) of Smart Sponge® media



Smart Sponge® media

PROJECT NAME:	PROJECT CONTACT ENGINEER:	PROJECT ENGINEER:	SCALE (FULL SCALE): 1.5 inches : 12 inches
LOCATION:	CONTACT:	DRAWN BY: APB	PROJECT ENGINEER:
ULTRA URBAN DROP-IN (DI) SMART SPONGE® FILTER DI2020N	SITE MANAGER:	DESIGNED BY:	CHECKED BY:
		CHECKED BY:	ISSUE DATE: 01/18/2017
		PROJECT NO.:	SHEET TITLE:
		Ultra Urban Drop-In (DI) Smart Sponge® Filter - DI2020N	SHEET NUMBER:
			1

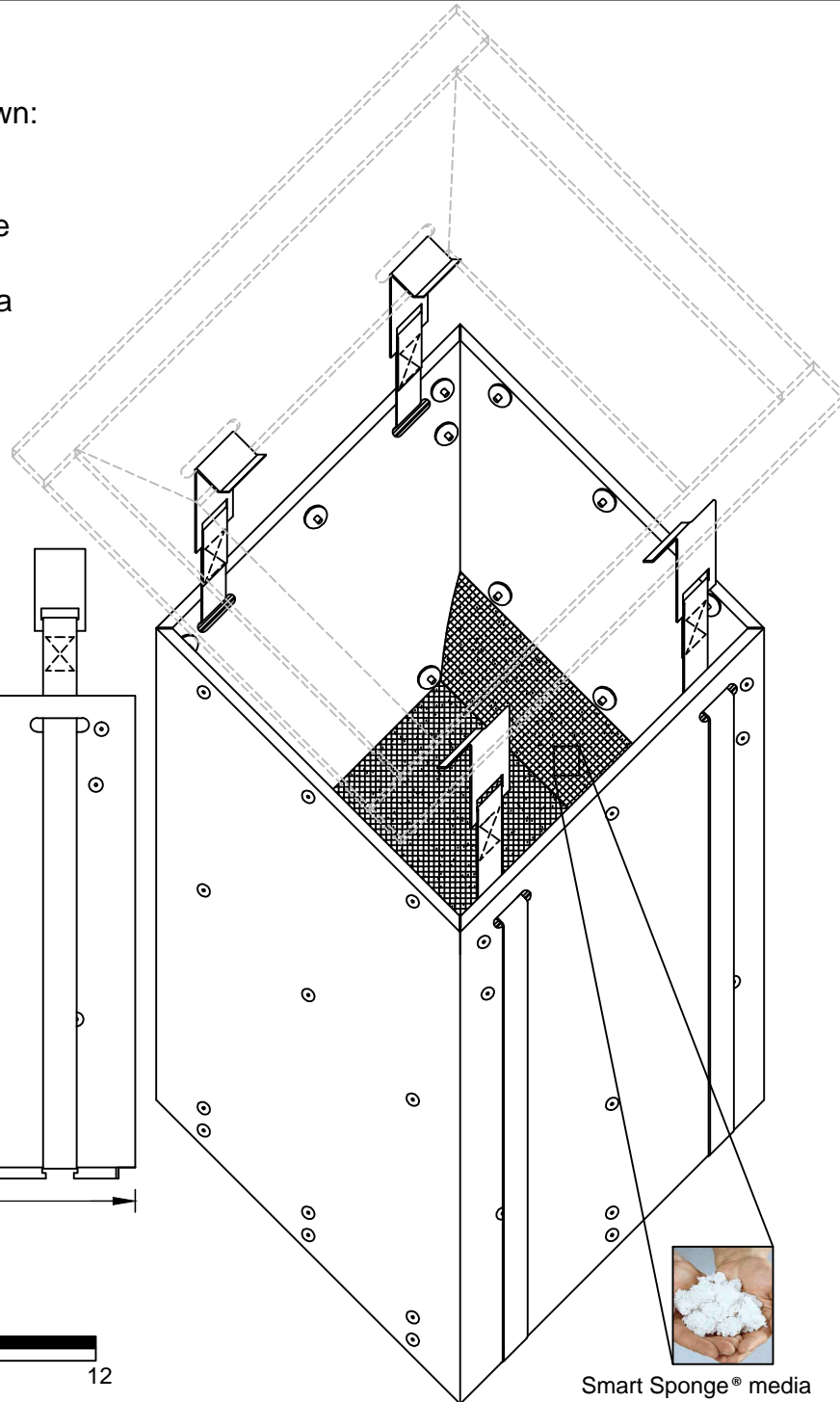
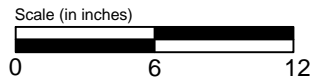
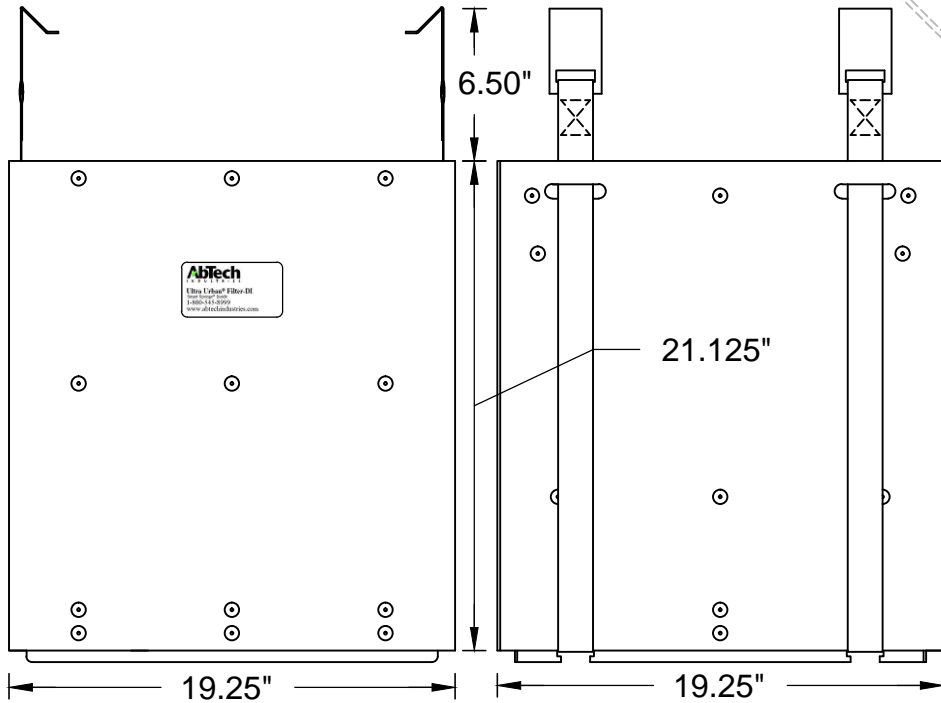


These drawings are the property of Abtech Industries, Inc. Drawings may not be printed, reproduced or used without the prior written consent of Abtech Industries, Inc.


**NOTES**

The following information relates to the product shown:

1. 80% total suspended solids (TSS) removal
2. 80% oil / grease removal
3. 500 gallons per minute (GPM) filtration rate before the built-in bypass
4. Ultra Urban Filter Drop-In (DI) will be attached to a custom collar based on catch basin specifications. Collar purchased separately.
5. DI2020N contains 28 lbs (+/- 10%) of Smart Sponge® media



Smart Sponge® media

PROJECT NAME:	LOCATION:	ULTRA URBAN DROP-IN (DI) SMART SPONGE® FILTER DI2020N
PROJECT CONTACT ENGINEER:	CONTACT:	SITE MANAGER:
 <p>These drawings are the property of Abtech Industries, Inc. Drawings may not be printed, reproduced or used without the prior written consent of Abtech Industries, Inc.</p>		
SCALE (FULL SCALE): 1.5 inches : 12 inches		
PROJECT ENGINEER:		
DRAWN BY: APB		
DESIGNED BY:		
CHECKED BY:		
ISSUE DATE: 01/18/2017		
PROJECT NO:		
SHEET TITLE: Ultra Urban Drop-In (DI) Smart Sponge® Filter - DI2020N		
SHEET NUMBER: 1		