

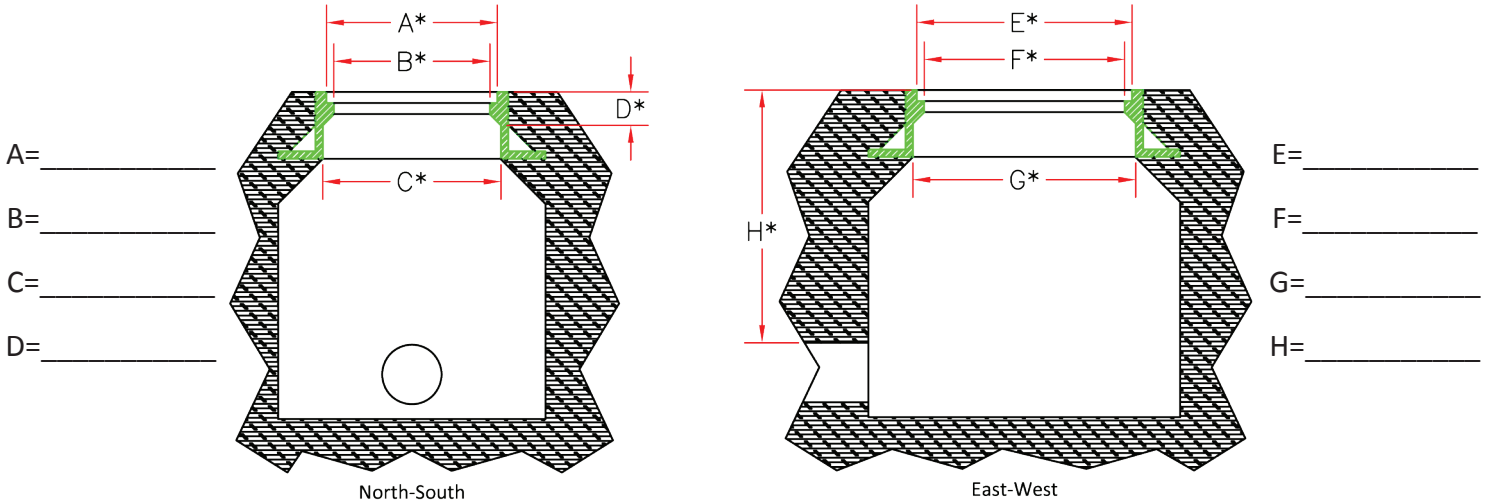
Specify project Title or Number and Catch Basin ID. (Ex. City Pond: CB#0145)

Project Title/Number: _____ Catch Basin ID: _____

Specify Manufacturer and Model Number of Frame and Grate where AbTech filter will be installed. (Ex. Neenah R-2250 & R-2580-C)

Manufacturer: _____ Model Number-Frame: _____

Model Number-Grate: _____ Note: All measurements to the nearest 1/16"

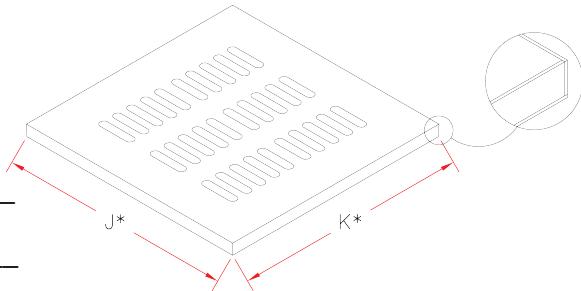


Note: If obstructions exist within the catch basin, please highlight the obstructions by providing sketch/photos and measurements.
*Denotes a measurement that must be completed prior to form submittal

Specify type of grate (flat, cantilevered, deep-cut, angled cut, etc.)

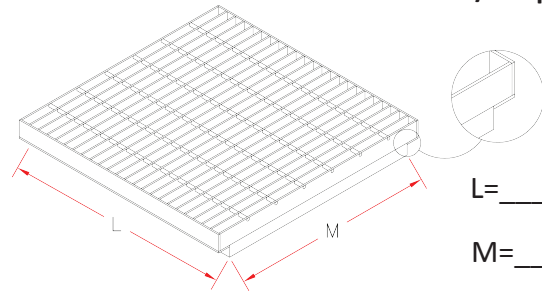
Grate Type: _____

Flat Bottom Grate



J= _____
K= _____

Cantilevered/Deep-Cut Grate



L= _____
M= _____

Customer Disclaimer: For questions and clarifications, please contact your local AbTech representative

DISCLAIMER: Customer represents that it has made its own independent determination that the product(s) it is purchasing, under this contract, meet the design requirements of Customer's project and are suitable for Customer's intended application. Customer further represents that all measurements and site details provided are accurate, and any issues resulting from inaccurate measurements or site details are herein the responsibility of said Customer.

Print Name: _____

Signature: _____

Date: _____

For AbTech Use Only

Order #: _____ Sales Rep.: _____