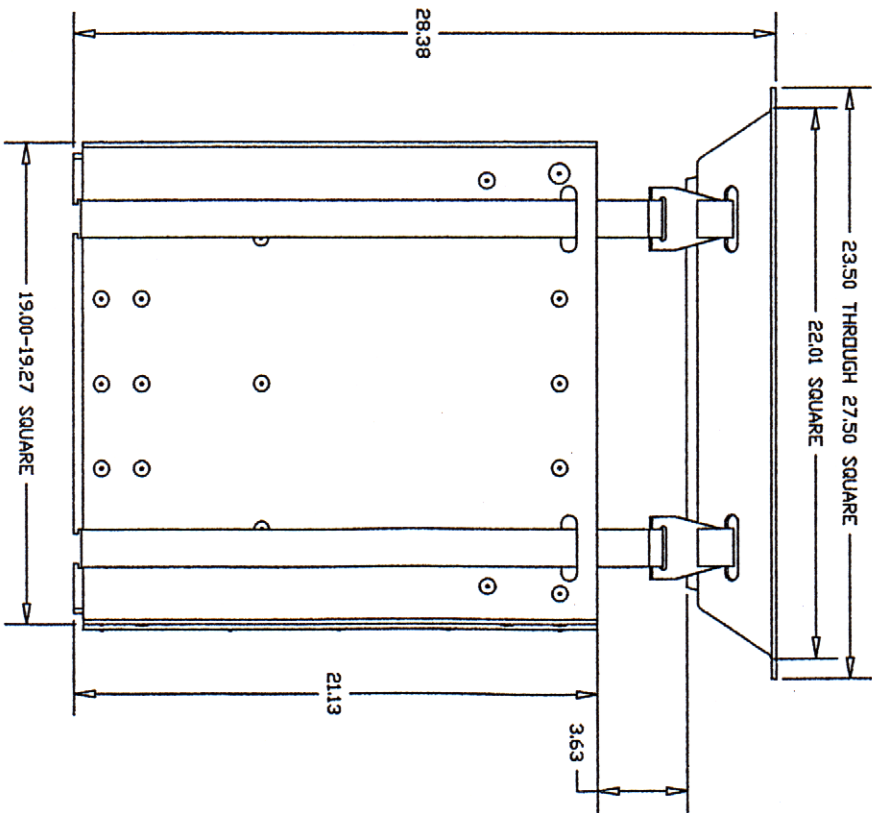
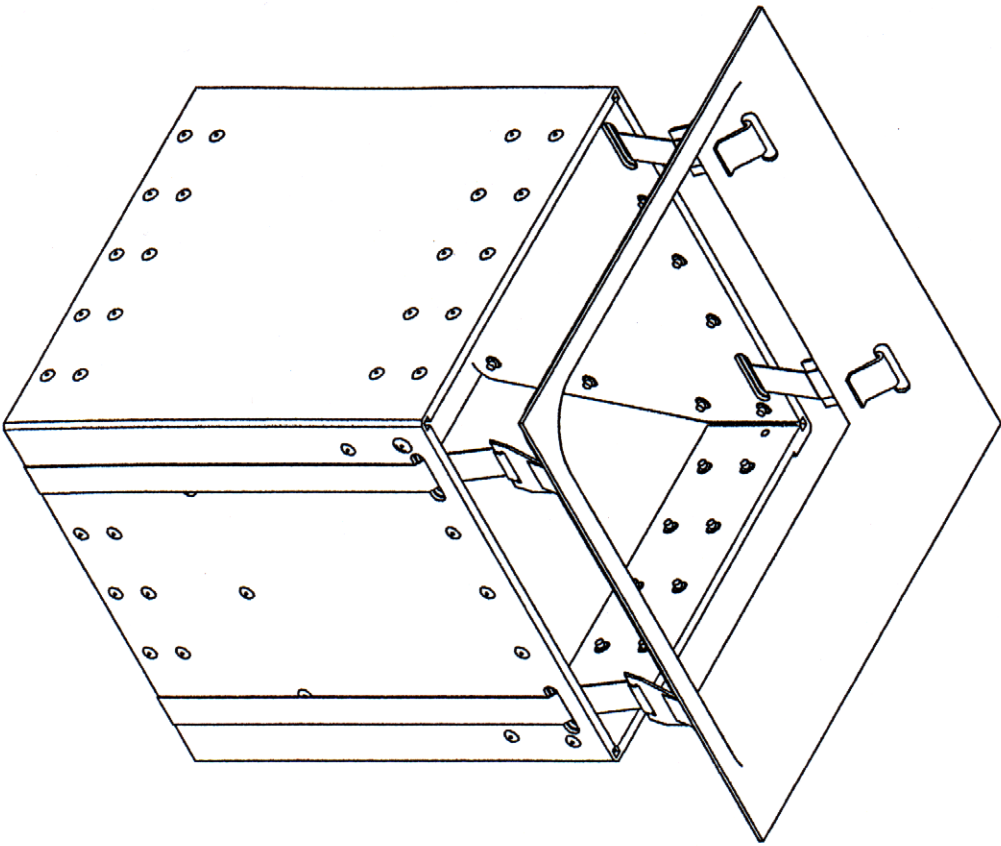


DRAWING TYPE REF.



DESCRIPTION: D12020 WITH STRAPS HOOKS AND COLLAR		STD. TOLERANCE UNLESS OTHERWISE NOTED	
FINISH: N/A	MATERIAL SPECIFIED: NONE	APPLICATION: FM-LESS	DATE: 02/13/01
NOTE 1	PART NO.	DESCRIPTION	
QTY.	ITEM NO.		

D12020

AbTech
 INDUSTRIAL
 SCOTTSDALE, ARIZONA

REV.	BY	DATE	DESCR.

THIS DRAWING IS DRAWN TO A SCALE OF 1" = 1'-0" UNLESS OTHERWISE NOTED.
 DATE: 02/13/01
 DWG# 00108701