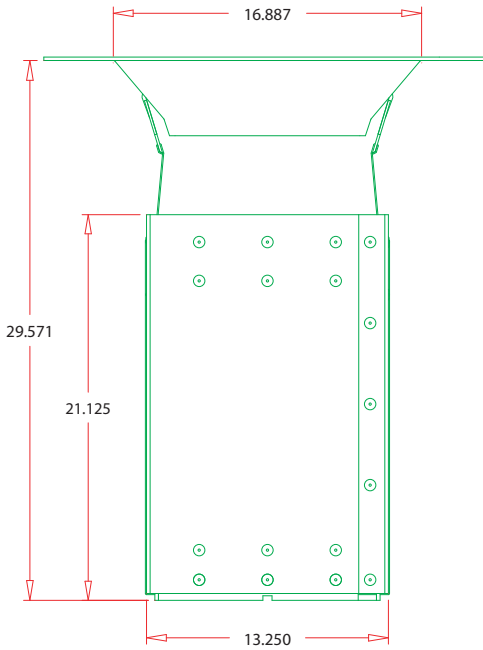
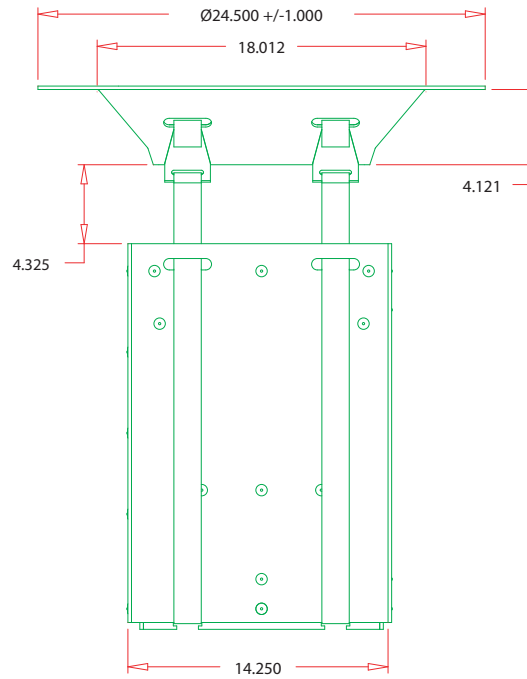
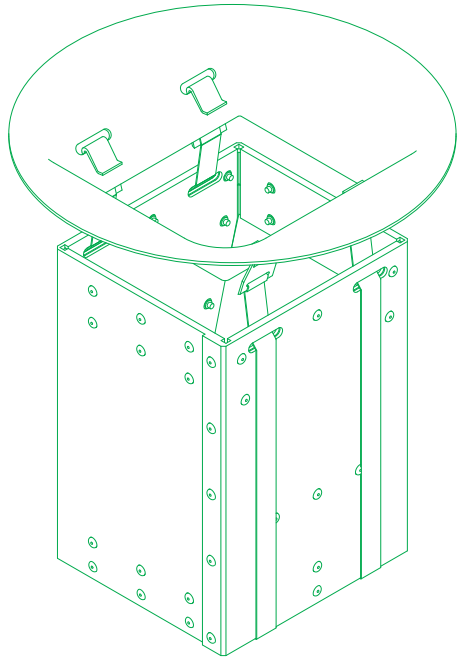



DRAWING TYPE PART

DESCRIPTION		13" X 14" X 21" UUF COMPLETE ASSEMBLY			
FINISH	NONE	STD. TOLERANCE UNLESS OTHERWISE NOTED			
MATERIAL SPECIFIED	N/A	X	XX	XXX	FRAC. ANG.
QTY.	1	PART NO.		DESCRIPTION	



 ATE INDUSTRIES SCOTTSDALE ARIZONA	REV.	BY:	DATE:	DESCR.	COLLAR TO BOX
	1	PMV	5/10/01	CLEARANCE IS 1.25" LONGER	
<small>THIS DRAWING IS DRAWN TO A SCALE OF 1=1, THE BORDER IS SCALED UP TIMES TO FIT</small>				DRAWN DATE PMV 04/16/01	DWG# 00309T01