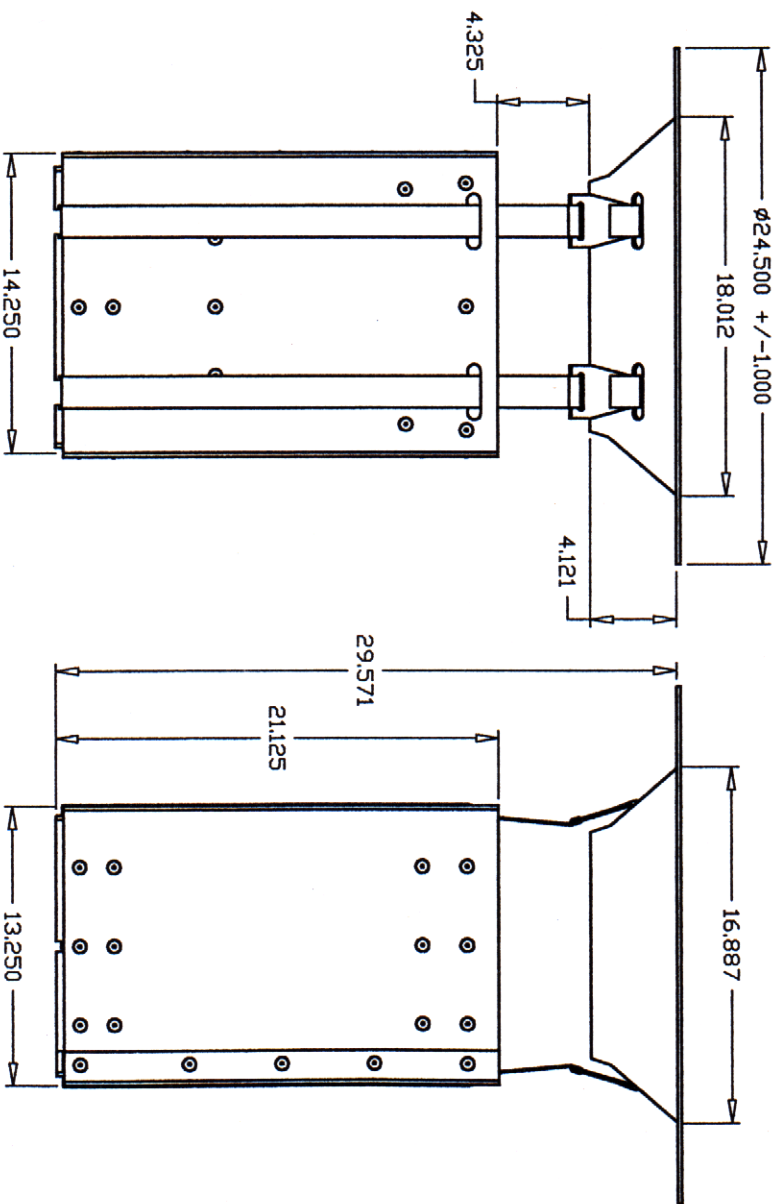
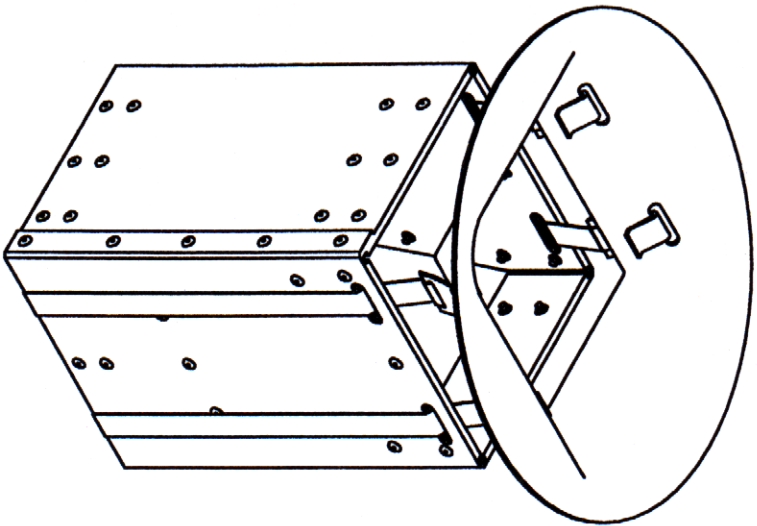


DRAWING TYPE PART



D11414

DESCRIPTION		D11414N INSERT WITH STRAPS, HOOKS & COLLAR	
FINISH	NONE	STD. TOLERANCE	UNLESS OTHERWISE NOTED
MATERIAL	N/A	APPL. SPECIFIED	IRAN-LESS
QTY.	ITEM NO.	PART NO.	DESCRIPTION

ATI Tech
 INDEPENDENT TECHNOLOGICAL
 SCOTTSDALE ARIZONA

REV.	BY	DATE	DESCRIPTION
1	PMV	5/10/01	DESIGN-COLLAR TO BOX

THIS DRAWING IS DRAWN TO A SCALE OF 1" = 1" UNLESS OTHERWISE NOTED.
 THIS DRAWING IS DRAWN TO A CLEARANCE IS 125' LONGER
 04/16/01
 BUCAL 00309T01