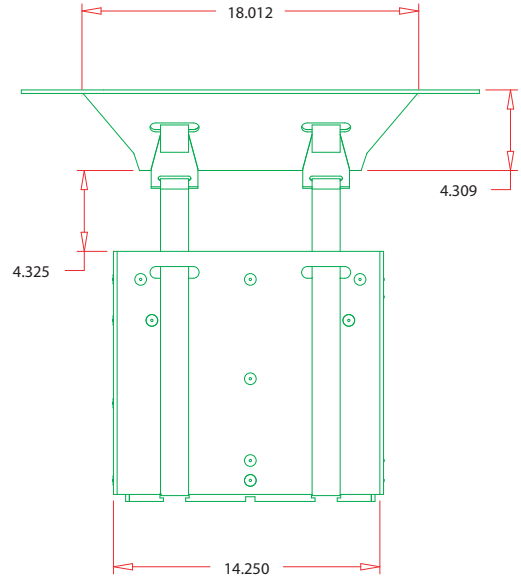
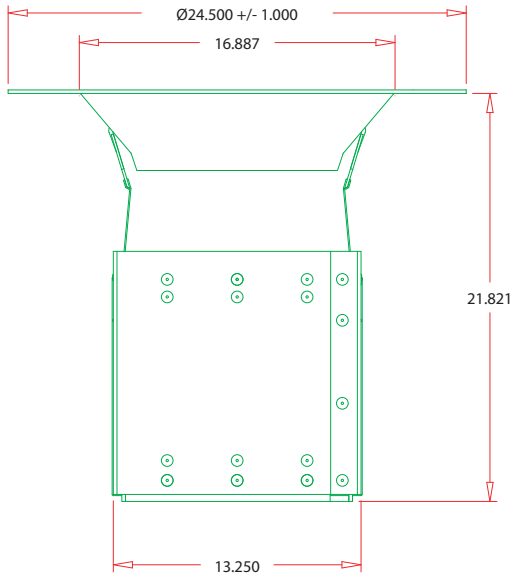
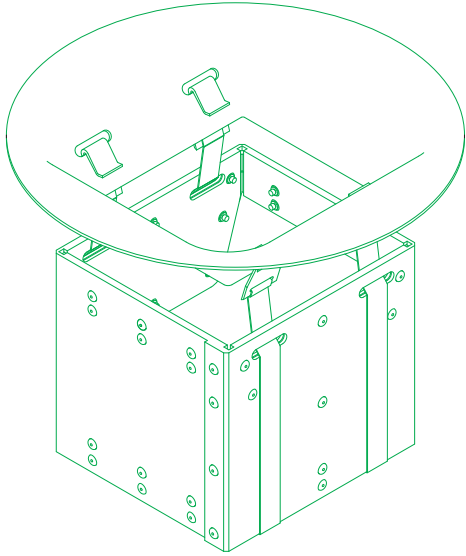



DRAWING TYPE REF

DESCRIPTION		13" X 14" X 13" UUF COMPLETE ASSEMBLY			
FINISH	STD. TOLERANCE UNLESS OTHERWISE NOTED				
NONE	X	XX	XXX	FRAC.	ANG.
MATERIAL SPECIFIED	APPLICATION				
N/A	DI1414H				
QTY.	ITEM#	PART NO.	DESCRIPTION		



 ATE INDUSTRIES SCOTTSDALE ARIZONA	REV.	BY:	DATE:	DESCR.
	1	PMV	5/10/01	CLEARANCE IS 1.25" LONGER
<small>THIS DRAWING IS DRAWN TO A SCALE OF 1=1, THE BORDER IS SCALED UP TIMES TO FIT</small>			DRAWN DATE PMV 04/18/01	DWG# 00409T01