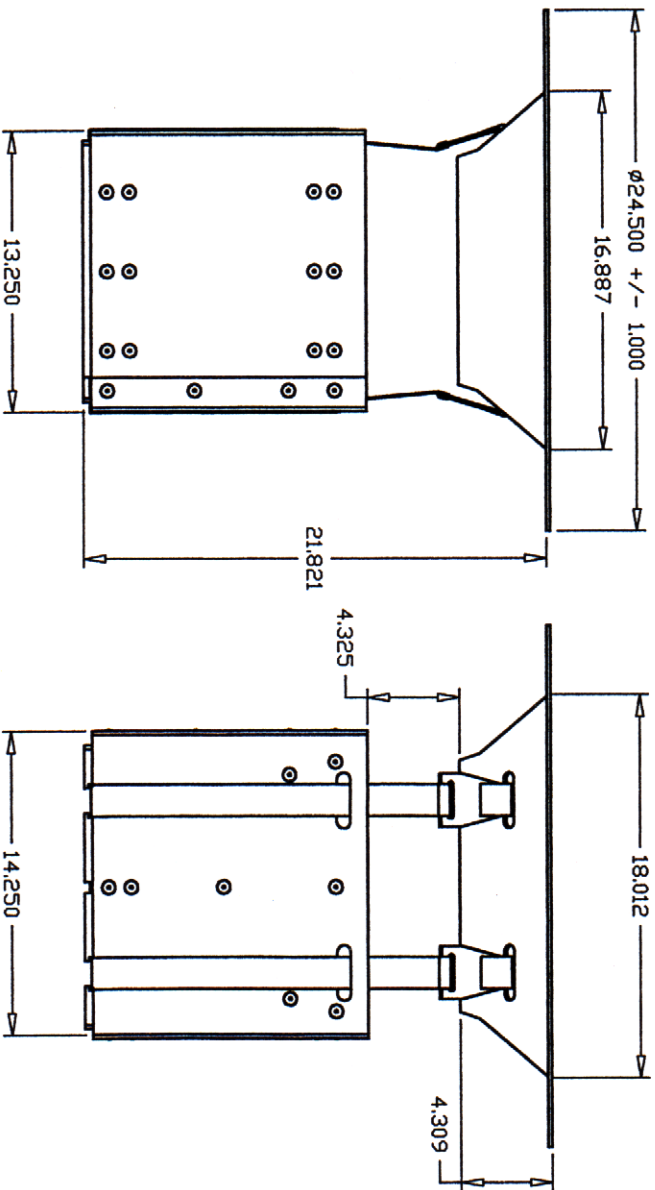
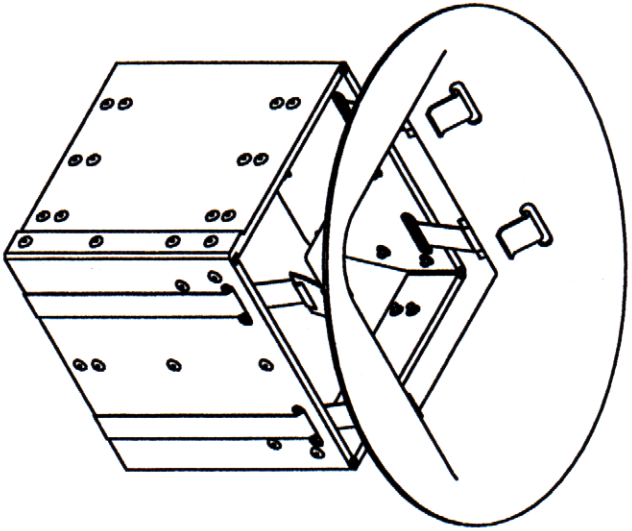


DRAWING TYPE REF



D11414H

DESCRIPTION		D11414H WITH STAPLES, HOOKS & COLLAR	
FINISH	NONE	STD. TOLERANCE UNLESS OTHERWISE NOTED	
MATERIAL	N/A	A-31	304 304
MATERIAL SPECIFIED	N/A	APPLICATION	FRAC 5/1/22 ANG 4.5P
QTY.	1000	PART NO.	D11414H
		DESCRIPTION	

Photech
SCOTTSDALE, ARIZONA

REV.	BY	DATE	DESCR.
1	PHV	5/10/01	CLEARANCE IS 125' LINGER

THIS DRAWING IS BEING TO A
SCALE UP 1 TIMES TO FIT

REVISED BY
04/18/01

DATE
00409T01