

AbTech INDUSTRIES. CO1414 Ultra Urban Filter Installation Instructions

1. Installation of the Mounting Bracket

The location and number of Ultra Urban Filter (UUF) box(es) in each catch basin should be determined by the end user, based on actual flow rates and characteristics of the drain.

- Measure width of the drain opening and the depth of the drain inlet.
- Determine the number of UUF boxes to be installed.
- Determine the length of the bracket, number and location of the holes. Table 1 is meant to provide suggestions.
- Users should follow their own safety protocols and confined space entry procedures.
- Setup the appropriate barriers and traffic control equipment. Remove the drain inlet cover. Make sure the drain is clean and clear of debris.

SUGGESTED LENGTH OF MOUNTING BRACKET AND LOCATION OF HOLES

Number of Boxes	1 to 2	3 to 5	6-7	8 to 10
Length of Bracket	Number of boxes times 12.75'	Number of boxes times 13.00'	Number of boxes times 13.125'	Number of boxes times 13.125'
Number of Anch. Bolts	2	3	4	5
Location of Anch. Bolts	3" from the edges	6" from the edges + one in the middle	6" and 30" from the edges	12" and 36" from the edges + 1 (middle)

Table 1.

- Use gloves when handling or installing mounting bracket, sharp edges can cause injuries.

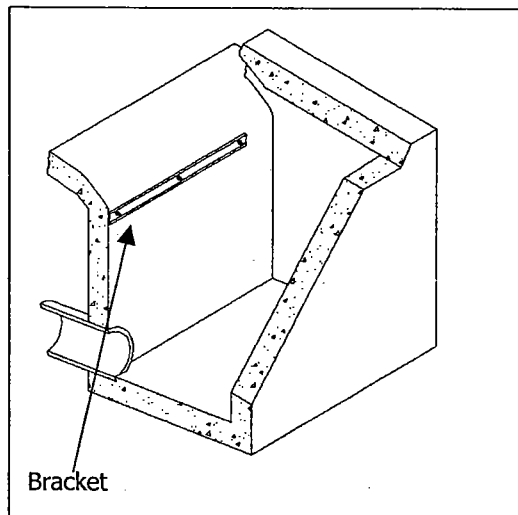


Figure 1.

- Cross-sectional view shown in Figure 2 gives the suggested elevation of anchor bolts and the interference between the bracket's flange and the inlet radius.

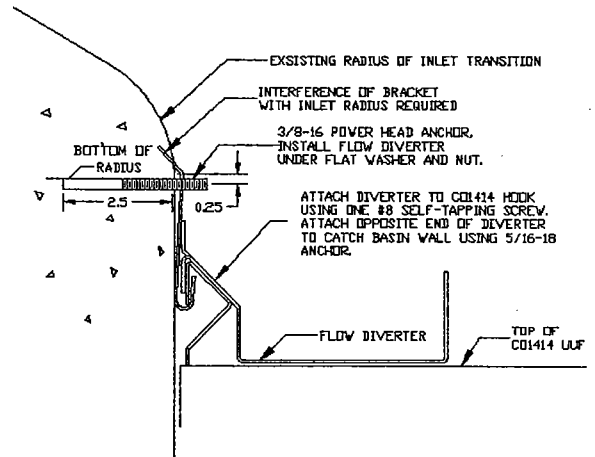


Figure 2.

- UUF Box(es) should be installed so that there is approx. 2"-3" clearance between the bottom of the catch basin and the bottom of the box.
- Use 3/8-16 wedge anchor bolts, 2.25" long, to attach Mounting Bracket to catch basin wall.

2. Installation of the UUF Boxes

- UUF boxes should be installed so that the flow through inlet-outlet pipes is not affected.
- Prior installation, remove necessary Over-Flow Cut-Outs to provide openings for lateral overflow between boxes.

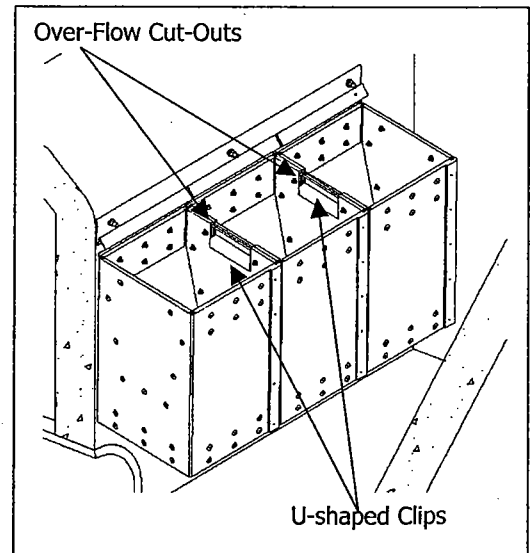


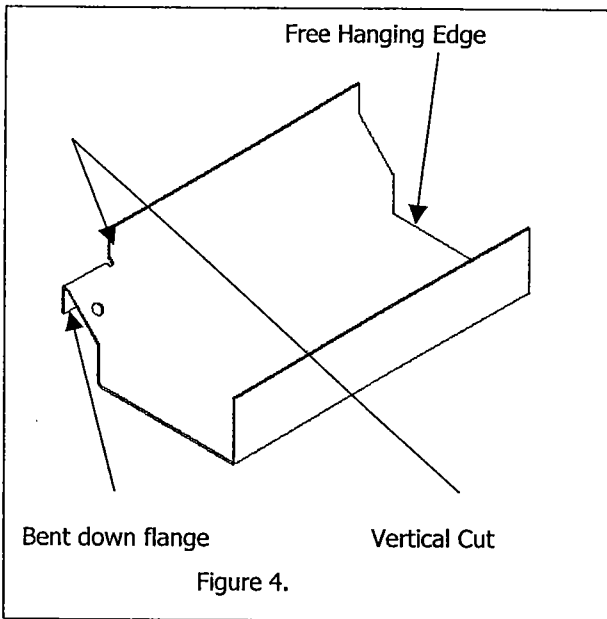
Figure 3.

AbTech INDUSTRIES CO1414 Ultra Urban Filter Installation Instructions

- Install U-shaped Clips over the Over-Flow Cut-Outs as shown in figure 3.

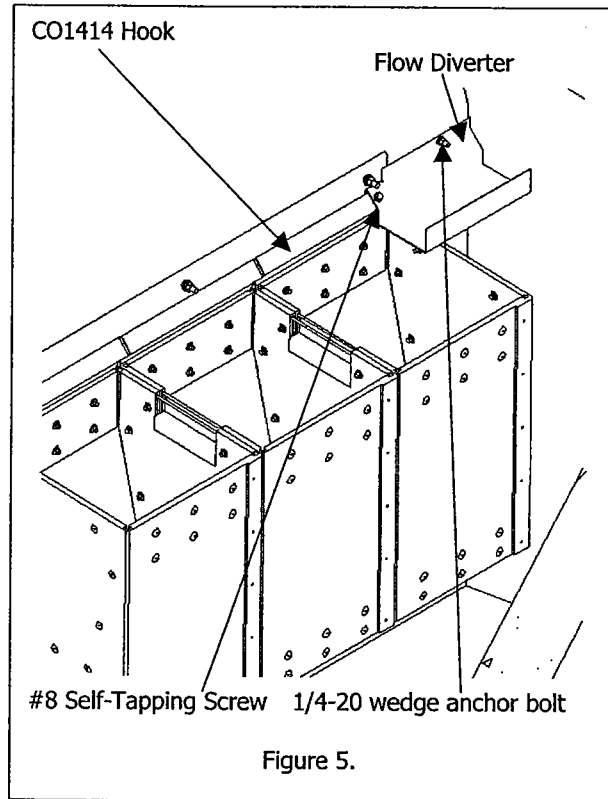
3. Installation of the Flow Diverter (FD)

- When determining the length of the Flow Diverter, an additional 2" must be added to the length to allow over-flow the UUF box.
- Table 2 is intended to provide suggested number and location for the anchor bolts.
- Users are encouraged to develop and follow their own procedures and safety protocols.
- At approximately 1.5" from the overhanging edge, vertically cut the higher side of the Flow Diverter to approximately 3/16" below the first bend.



- Use gloves when handling and installing the Flow Diverter, sharp edges can cause injuries.

- Bend down the cut portion of the flange, as shown in figure 4.
- The bent down flange of the Flow Diverter should engage the bracket and sit on top of the hook of the UUF box as shown in figures 2 and 5.
- Use 1/4-20 Wedge Anchor bolts, 2.25" long to secure the Flow Diverter to the catch basin wall.



- Secure Flow Diverter to CO1414 Hook using one #8 Self-Tapping screw as shown in figure 5; drilling 3/16" clearance hole may be required.
- Clean up the area and make sure that tools and debris have been removed from the catch basin. Replace the cover to the drain and secure as needed.

SUGGESTED LOCATION OF THE HOLES FOR FLOW DIVERTERS (FD)

FD Length	Less than 3'	3' to 5'	5' to 7'	7' to 11'
Number of Anch. Bolts	1	2	2 - 3	3 - 4
Location of Anch. Bolts	At 3" from the free hanging edge (FH)	At 3" from the (FH) edge and one in the middle	At 3" from the (FH) edge and approx. every 3'	At 3" from the (FH) edge and approx. every 3'

Table 2.